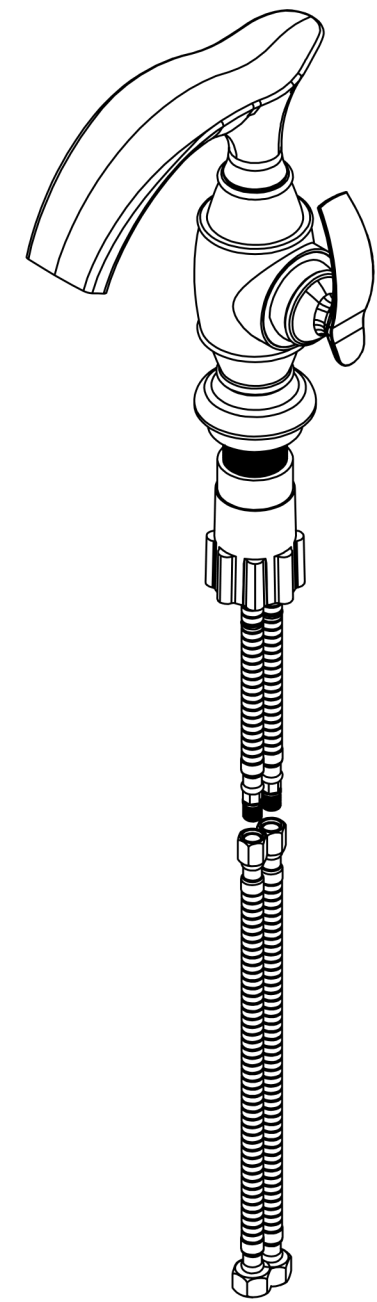
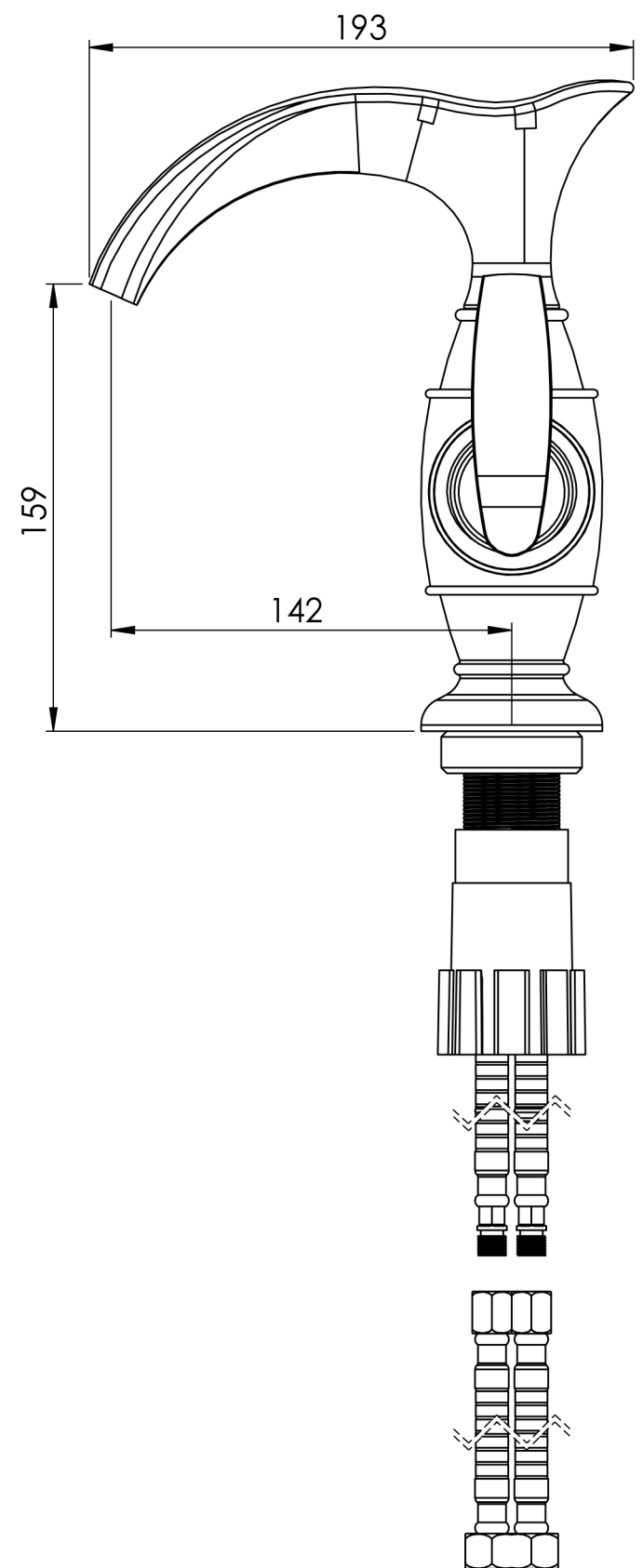
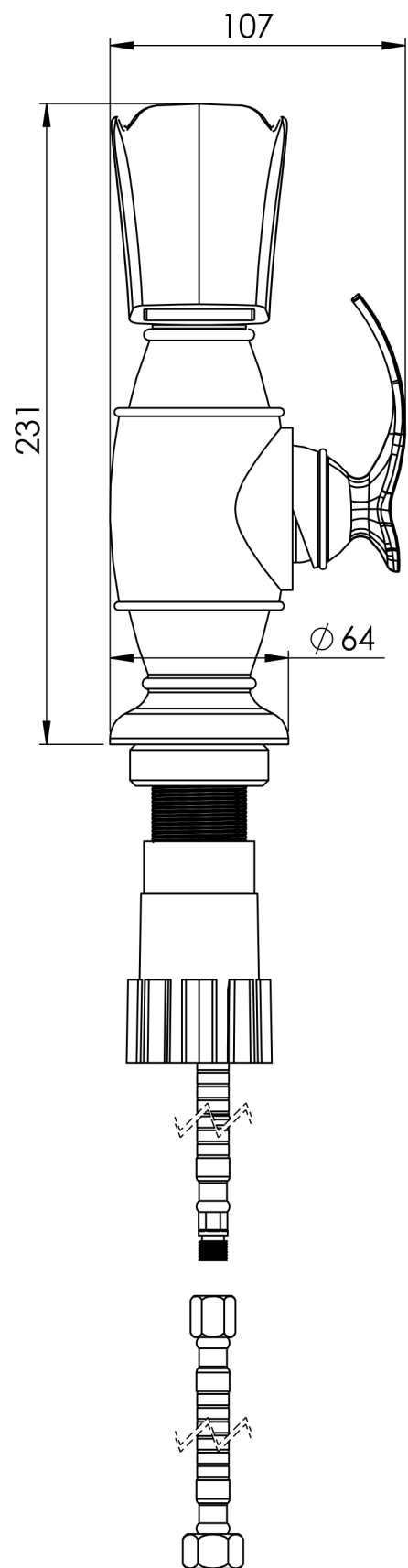




8 7 6 5 4 3 2 1

F
E
D
C
B
A

F
E
D
C
B
A



NAME	DATE	SIGNATURE	DIMENSIONS ARE IN MM		Shouder[®]
DRAWN & CHK'D : M_Raftari			SURFACE FINISH: \sqrt{Ra}		
			Tolerance ISO 2768-m		Part Name: Asm rushuyi Geloris-dim
			0.5-6	±0.1	
APPV'D : EN-Garedaghi			6-30	±0.2	
			30-120	±0.3	
QA : En_Mirzaei			120-400	±0.5	Process:
			 		REVISION A3
MATERIAL:	WEIGHT:	SCALE: FREE	MAP Code:	SHEET 1 OF 1	

8 7 6 5 4 3 2 1