

**Shouder<sup>®</sup>**

Because Details Matter

2023 \_ 24

## An achievement is born!

It was two years since the war had ended and The development era had emerged. at that time, the need for Iranian factories and businesses seemed imminent, and it was during the same times when the idea of producing faucets at Iranian factories in compliance to state-of-the-art technologies came into our minds. Therefore, the market was investigated considering the relevant details, and important achievement was born.

**Shouder**<sup>®</sup>



265

55

164



Because details matter



## Born in Iran, developed in Germany

---

At that time, awareness of customers need and production of new and creative products are welcomed by domestic and foreign customers. Germany was selected as a consultant in a completely Iranian factory. In addition to the R&D team of Germany and Iran, we have benefited from the best and latest global technologies to be able to have a strong presence in the construction industry market. On the other hand, we have taken consistent steps from the very beginning to achieve the latest global standards, obtain CE certification and enter European markets.

**Shouder**<sup>®</sup> F&E



## **An Advantage for Iran**

---

Here in Iran, a country with 25 centuries of civilization, we managed to grow through using professional engineers and the latest technologies and meet the requirements of consumers for faucets through improving industrial quality, in a way that they need no similar foreign products.



## **Towards Excellence**

---

Nothing works as perfect as using experiences to enable us approach excellence. In a experience-oriented world, we relied on valuable experiences and learning about our customers' needs to create useful and aesthetic products.

## Because details matter

---

We try to find a way to distinct our products when a new product is introduced to the market. We have seen such distinction in focusing the details. For the time being, Shouder products are developed and advanced in a family with highly focusing details, and providing preferred products through smart efforts with utmost beauty, efficiency and durability.



Tyne	28
Geloris	32
Michel	36
Tiffany	40
Bizans	44
Uniqe	48
Uniqe Plus	50
Luka	54
Dante	58
Senior	60
Europe	62
Marino	66
Lion	72
Monaco Plus	76
Ramond	78
Smart	80
Lord	84
Sharp	86
Bavaria	88
Classic	90
Opal	92
Atlas	94
Plus	98
Hospital	100

Kitchen/ Alester	108
Kitchen/ Atlantic	109
Kitchen/ Monacoplus	110
Kitchen / Alberta	111
Kitchen / Aksel	114
Kitchen / Iten Pull out	120
Kitchen / Pot Filler	126
Bathroome & Toilet Tyne	130
Bathroome & Toilet Marino	135
Bathroome & Toilet Geloris	140
Bathroome & Toilet Romer	148
Bathroome & Toilet Romer plus	156
Bathroome & Toilet Rogen	166
Basin & Zigmond	178
Concealed Box	188
Widespread Basin	190
Toilet Bidet	193
Shower system	198
Concealed Flush Tank	210
Flush Tank	214
Toilet Hose	215
Drain	216
Accessory	220
Towel Dryer	224
Electronic Faucets	226





## Good Mood, Everyday

---

We commence every morning washing our face and get rid of tiredness at the end of a busy day by a pleasant bath. Shouder unique products with well-detailed engineering and proper spraying double water drops to skin contact and their extraordinary design are eye-catching.



## Appreciation Acknowledgement

---

During the times when the dehydration crisis was increasingly intensified, we decided to offer solutions to pass through such crisis. Therefore, we took benefit from the latest global technologies and equipped Shouder products to water saving equipment, to #appreciate-water more. During all these years, we respected this most valuable natural element and developed culture in this regard.

## Years Free from Concerns

---

Living with the Shouder family decreases concerns and worries. Notwithstanding the type of faucets used, water leakage, body leakage, abnormal and weird noise when turning down the faucet, broken cartridge and washer and any type of common trouble you may think of may emerge after a couple of years. However, you live free from worries for years if you know that your product has six-year after-sale-services.

















Because details matter



## Friendly and Sustainable Relationship

The process of purchasing a product is not solely limited to investigating, selecting and paying. In Shouder Service, while offering advice on purchasing and selecting the best model for the area of any house, all questions of both consumers and vendors are answered and we permanently try to have a friendly and responsible relationship with all buyers, inter alia, final users, organizational buyers and vendors.

Shouder®

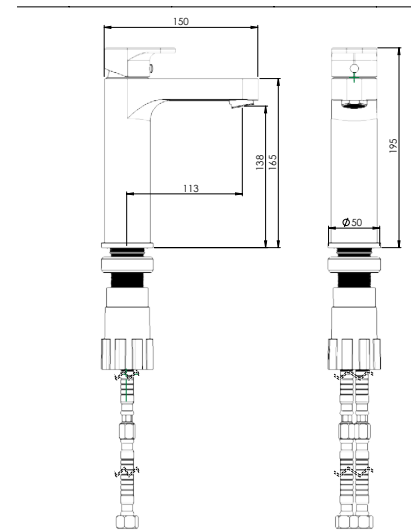
	Focusing on details		Dual mode kitchen
	Cartridge size: 40mm		Dual-purpose water treatment
	Cartridge size: 35mm		Concealed faucets
	Less sedimentation		Flexible for layout
	Modern cover		Leakage and noise free
	Easily movable lever		9 lit. tank
	Kitchen (shower type)		Less space occupancy
	Kitchen (shower type) faucet to cover larger washing areas		Water saving technology
	Kitchen (spring type)		Wall mounted rain shower head

	Ceiling mounted rain shower head		QC (quality control)
	Mobile shower head		Unique design
	Massage spray		Durable beauty
	Powder spray		Long-term performance
	Electrostatic paint coating		Fast and easy installation
	Less sedimentation of silicon nozzles		Easy service and maintenance
	Antibacterial feature		Access to interior parts without damaging the wall
	Ergonomic structure		Shouder Service
	Easily cleanable		

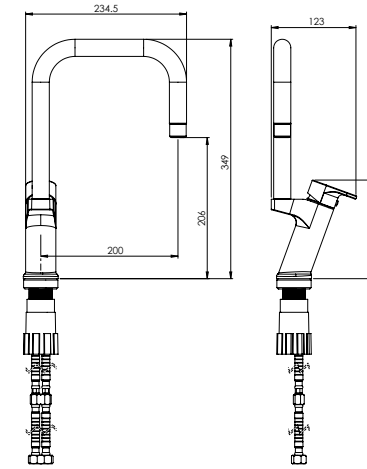
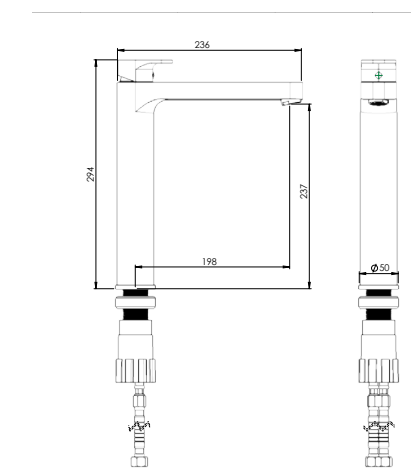
- High heat and pressure resistant ceramic cartridge
- Water saving perlator
- Less surface sedimentation due to special body design
- Fast and easy installation
- Easily cleanable
- Ergonomic structure
- Cartridge size: 35mm
- %100 QC



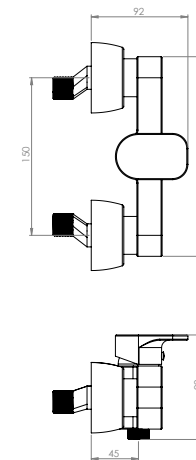
Fixed Basin  
201060000009



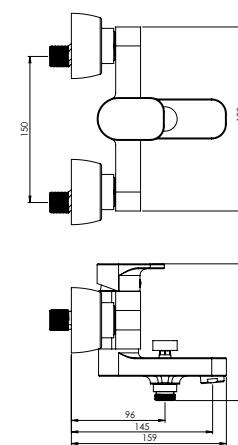
Tall basin  
201050000005



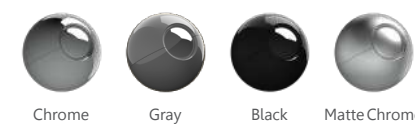
Kitchen  
201010000004



Toilet  
201030000007



Bath  
201020000008





# **Geloris**

---

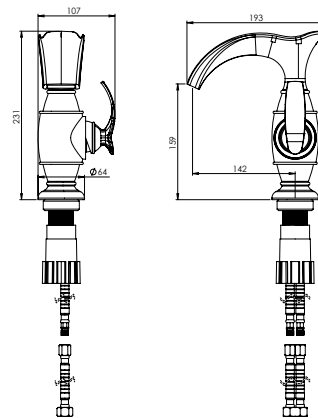
## Collection



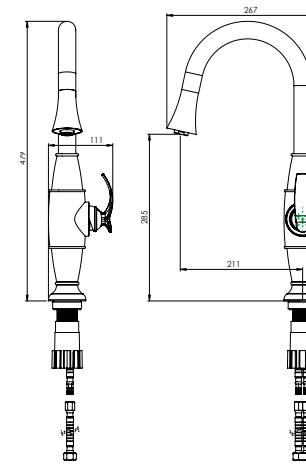
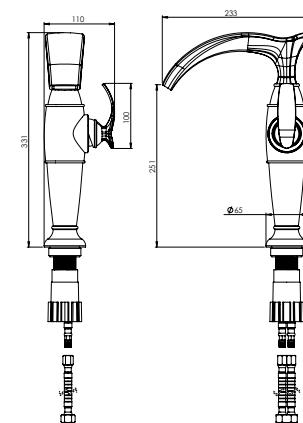
- Shower and regular kitchen
- High heat and pressure resistant ceramic cartridge
- Water saving perlator
- Less surface sedimentation due to special body design
- State-of-the-art physical vapor deposition (PVD) coating
- Kitchen (shower type) faucet to cover larger washing area
- Ergonomic structure
- Fast and easy installation
- Cartridge size: 35mm
- %100 QC



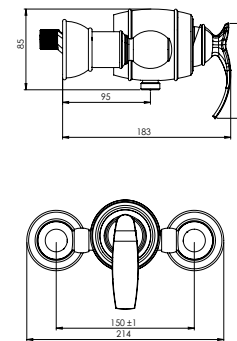
Fixed Basin  
201060830005



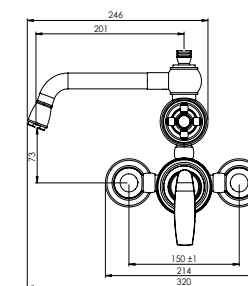
Tall basin  
304900000005



Kitchen  
201080000003



Toilet  
201030830005



Bath  
201020830005



Chrome Gold Matte Gold



# Michel

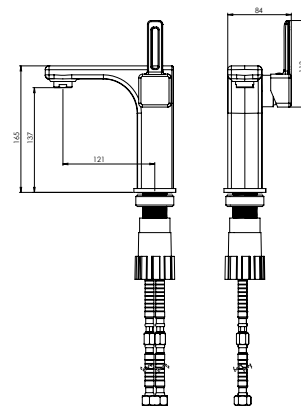
---

## Collection

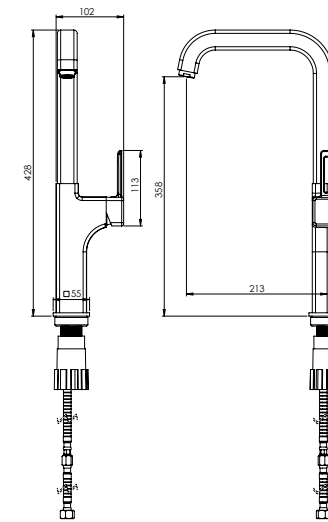
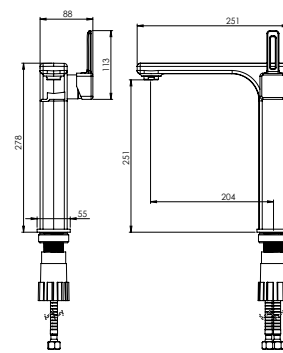
- Shower and regular kitchen
- High heat and pressure resistant ceramic cartridge
- Water saving perlator
- Less surface sedimentation due to special body design
- State-of-the-art physical vapor deposition (PVD) coating
- Kitchen (shower type) faucet to cover larger washing area
- Ergonomic structure
- Fast and easy installation
- Cartridge size: 35mm
- %100 QC



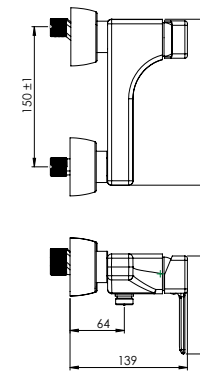
Fixed Basin  
201060000006



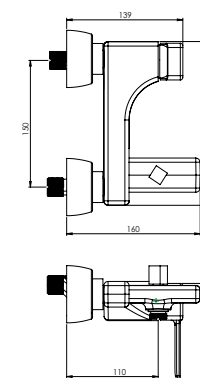
Tall basin  
201050000006



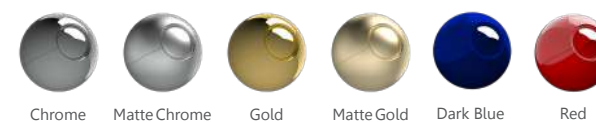
Kitchen  
201020000005



Toilet  
201030000006



Bath  
201020000007





# **Tiffany**

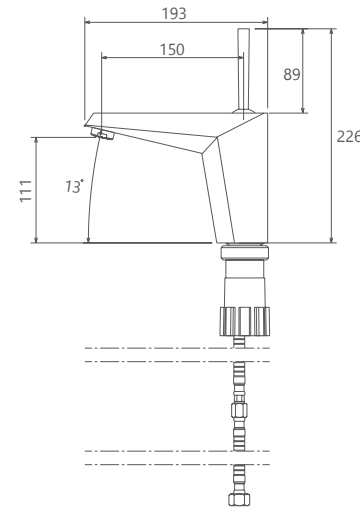
---

## Collection

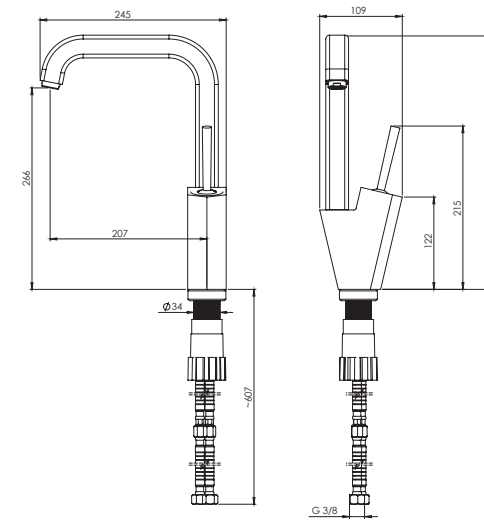
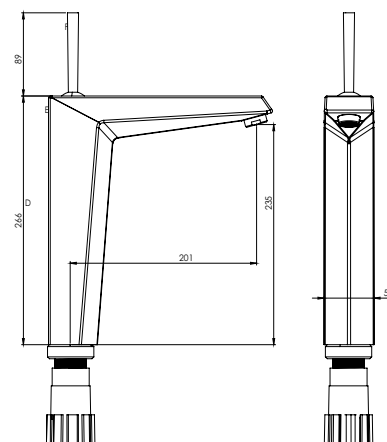
- High heat and pressure resistant ceramic cartridge
- Water saving perlator
- Electrostatic powder paint coating (THK > 100μ)
- Fast and easy installation
- Easily cleanable
- Ergonomic structure
- Joestik Cartridge
- Cartridge size: 35mm
- %100 QC



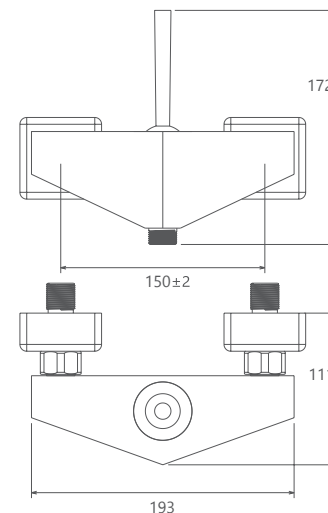
Fixed Basin  
201060230005



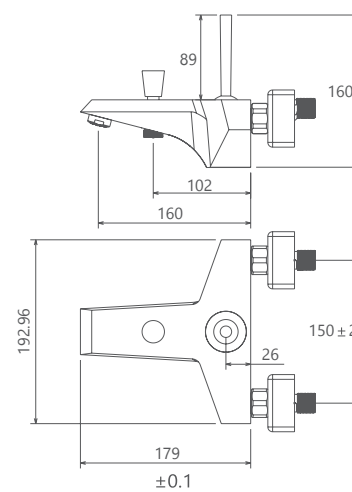
Kitchen  
201010230005



Kitchen  
201010230005



Toilet  
201030230024



Bath  
201020230005



Chrome Ivory/Chrome Ivory/Gold Black/Gold



# **Bizans**

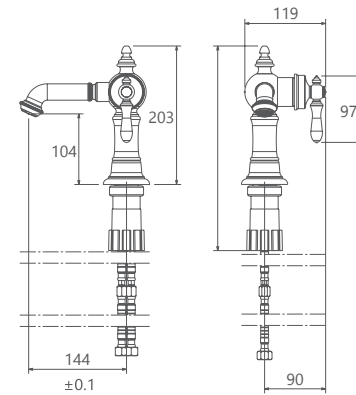
---

## Collection

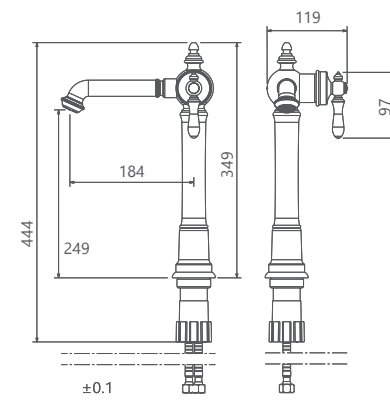
- Shower and regular kitchen
- High heat and pressure resistant ceramic cartridge
- Water saving perlator
- Less surface sedimentation due to special body design
- State-of-the-art physical vapor deposition (PVD) coating
- Kitchen (shower type) faucet to cover larger washing area
- Ergonomic structure
- Fast and easy installation
- Cartridge size: 35mm
- %100 QC



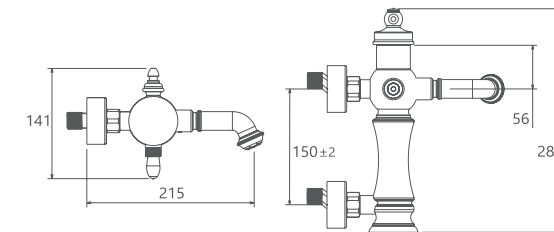
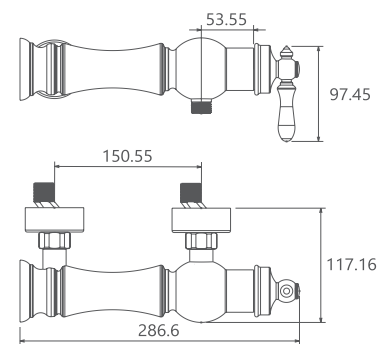
Fixed Basin  
201060240005



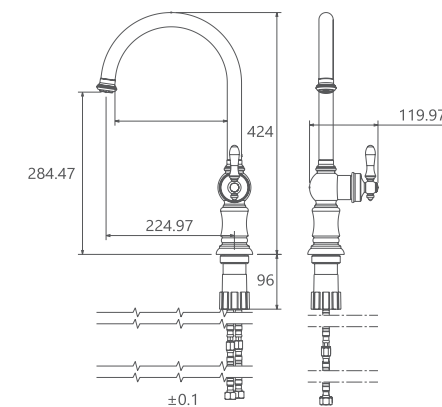
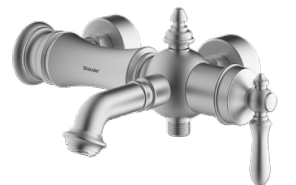
Tall basin  
201050240005



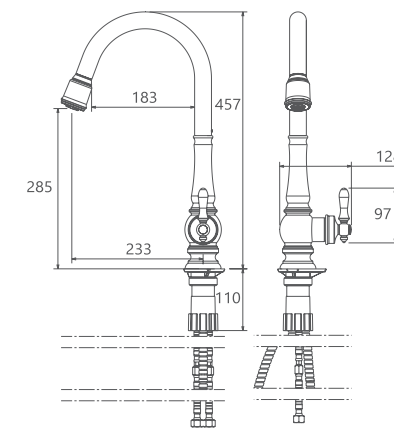
Toilet  
201030240005



Bath  
201020240005



Kitchen  
201010240005



Pull down  
201080240005





# **Unique**

---

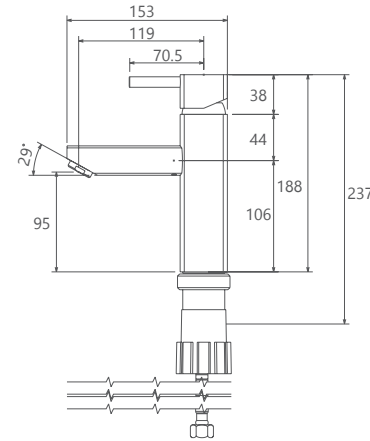
# Collection



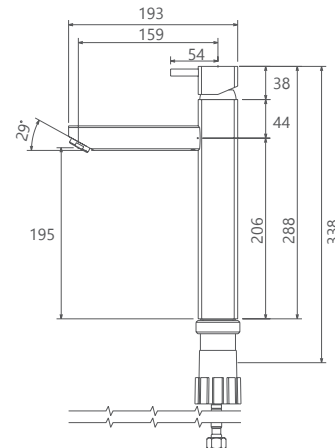
- High heat and pressure resistant ceramic cartridge
- Water saving perlator
- Less surface sedimentation due to special body design
- Fast and easy installation
- Easily cleanable
- Ergonomic structure
- Cartridge size: 35mm
- %100 QC



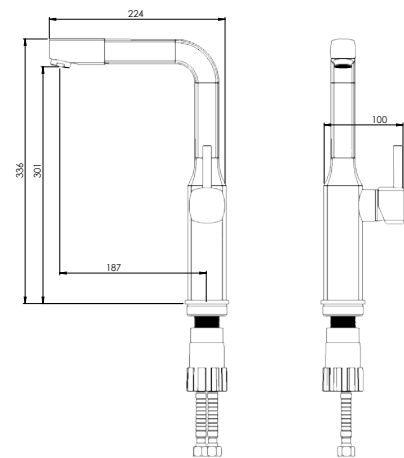
Fixed Basin  
201060200005



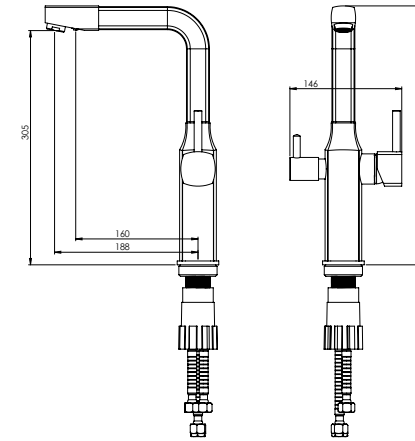
Tall basin  
201050200005



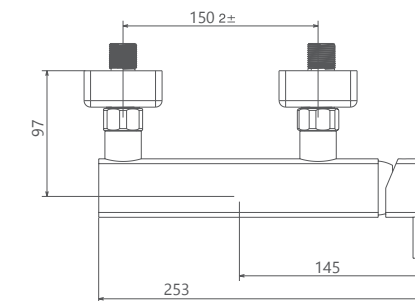
Pull down  
201010200005



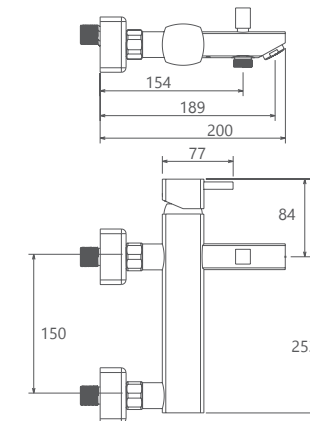
Unique model, dual-purpose kitchen, with three cold water, warm water and water treatment machine inlets beneath the faucet. This faucet has two cold-warm water and water treatment machine levers. With water outlet for domestic water and water treatment machine water.



Dual-purpose kitchen  
201100200005



Toilet  
201030200005



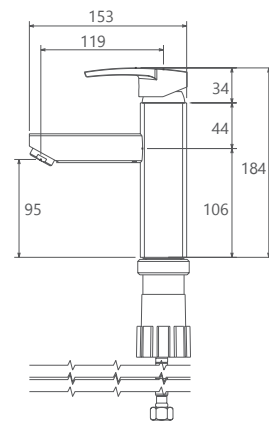
Bath  
201020200005



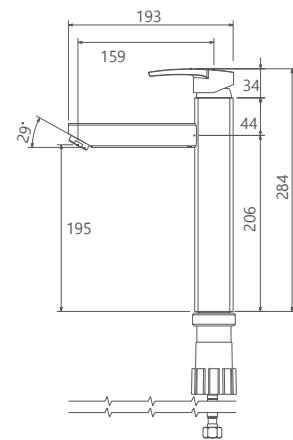
- High heat and pressure resistant ceramic cartridge
- Water saving perlator
- Less surface sedimentation due to special body design
- Electrostatic powder paint coating (THK > 100μ)
- Fast and easy installation
- Easily cleanable
- Ergonomic structure
- Cartridge size: 35mm
- %100 QC



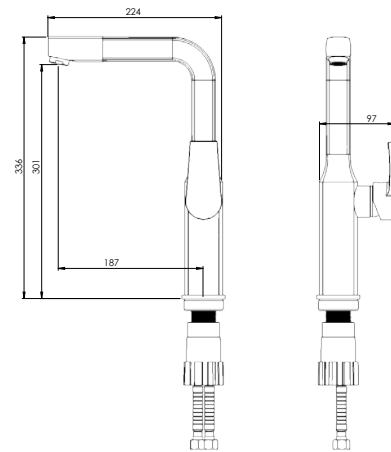
Basin  
201060210005



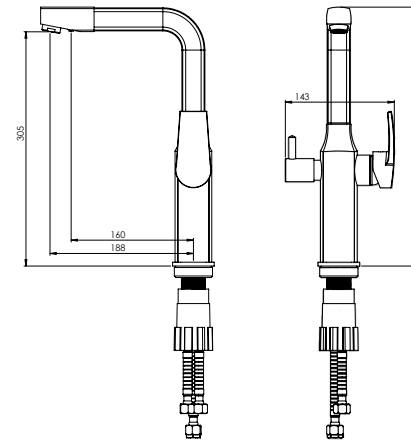
Tall basin  
201050210005



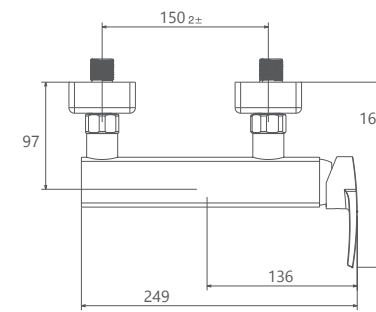
Pull down  
201010210005



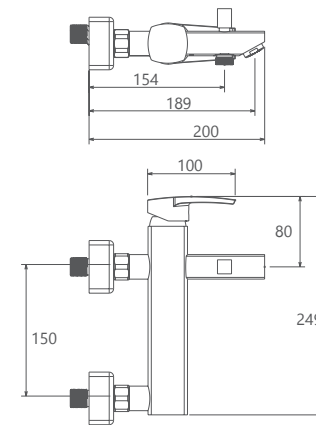
Unique Plus model, dual-purpose kitchen, with three cold water, warm water and water treatment machine inlets beneath the faucet. This faucet has two cold-warm water and water treatment machine levers. With water outlet for domestic water and water treatment machine water.



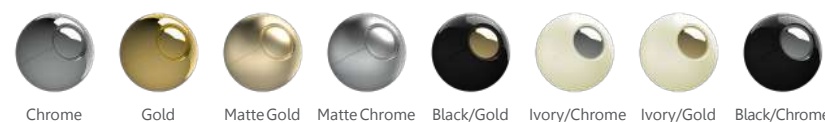
Dual-purpose kitchen  
201100210005



Toilet  
201030210005



Bath  
201020210005





**Luka**  

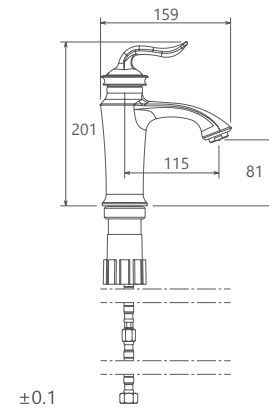
---

**Collection**

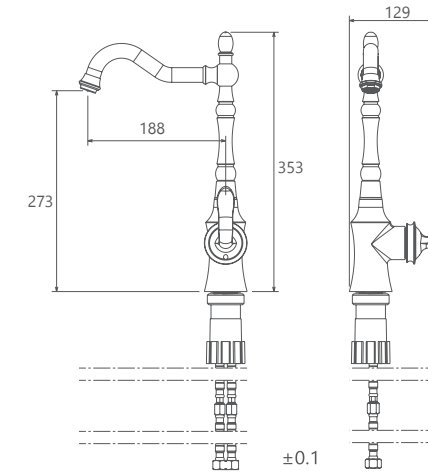
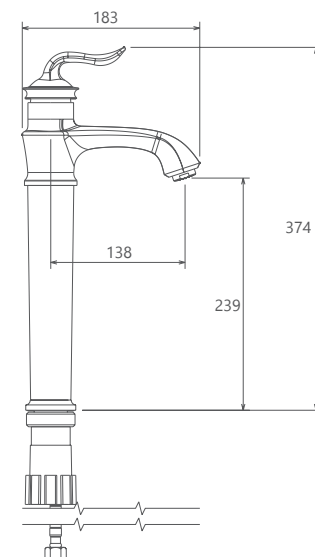
- High heat and pressure resistant ceramic cartridge
- Easily cleanable
- Water saving perlator
- Ergonomic structure
- Less surface sedimentation due to special body design
- Cartridge size: 35mm
- State-of-the-art physical vapor deposition (PVD) coating
- %100 QC
- Fast and easy installation



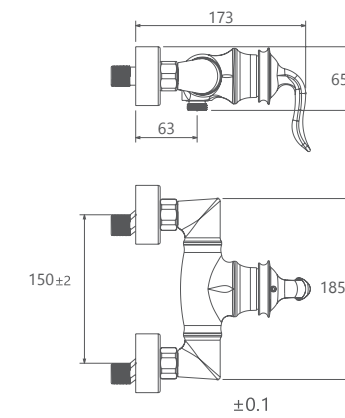
Fixed Basin  
201060180005



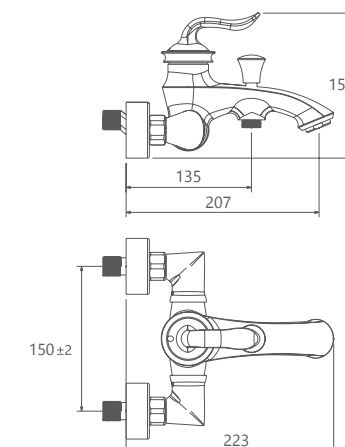
Tall basin  
201050180005



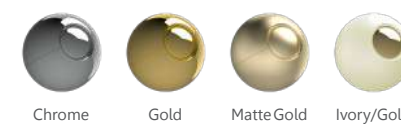
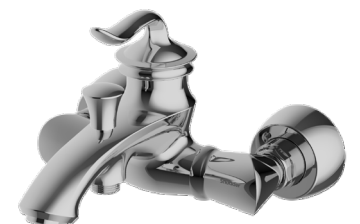
Kitchen  
201010180005



Toilet  
201030180005



Bath  
201020180005



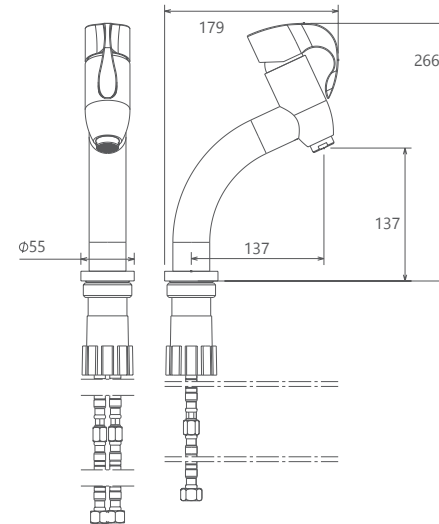
Dante



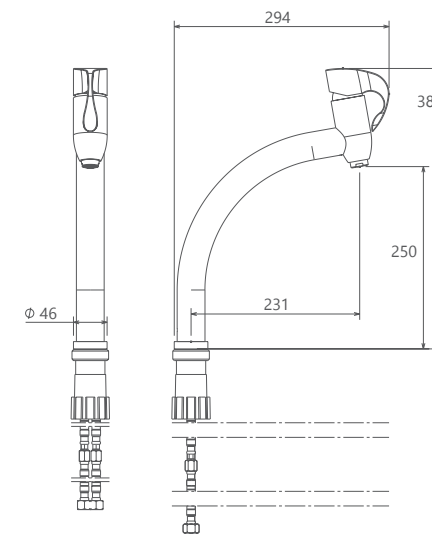
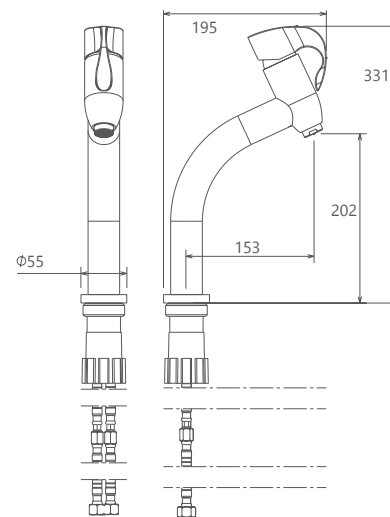
- High heat and pressure resistant ceramic cartridge
- Water saving perlator
- Less surface sedimentation due to special body design
- State-of-the-art physical vapor deposition (PVD) coating
- With antibacterial feature using advanced technology
- Fast and easy installation
- Easily cleanable
- Ergonomic structure
- Cartridge size: 35mm
- %100 QC



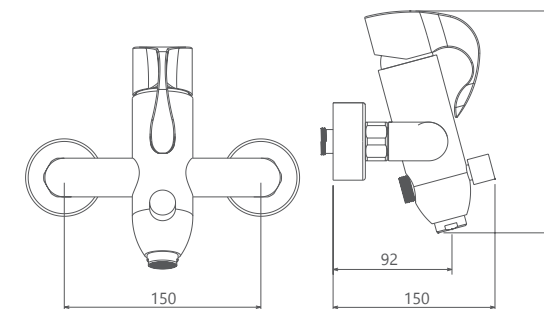
Fixed Basin  
201060130005



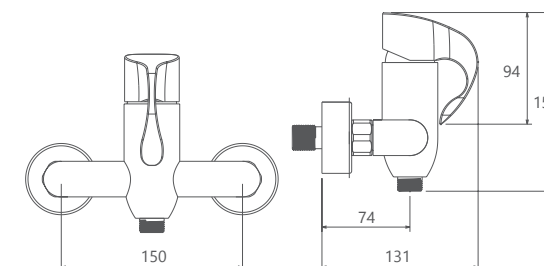
Tall basin  
201050130005



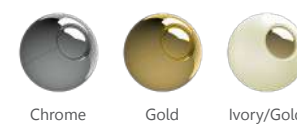
Kitchen  
201010130005



Toilet  
201030130005



Bath  
201020130005

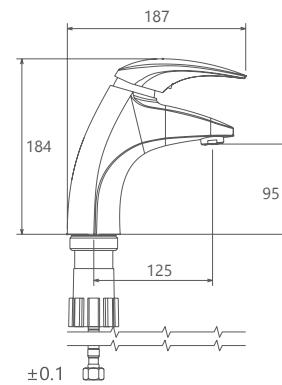


Chrome Gold Ivory/Gold

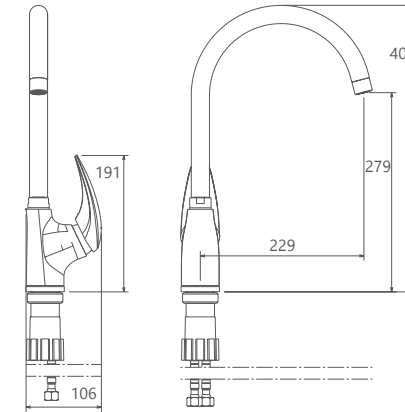
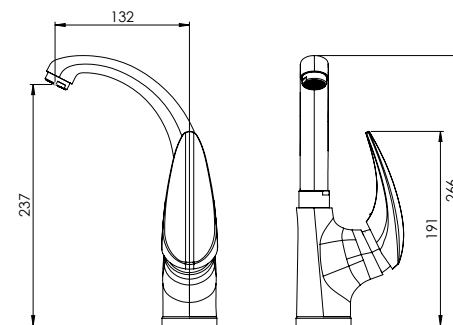
- High heat and pressure resistant ceramic cartridge
- Water saving perlator
- Less surface sedimentation due to special body design
- State-of-the-art physical vapor deposition (PVD) coating
- With antibacterial feature using advanced technology
- Fast and easy installation
- Easily cleanable
- Ergonomic structure
- Cartridge size: 40mm
- %100 QC



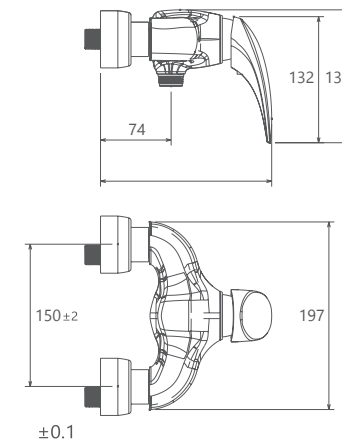
Fixed Basin  
201060120005



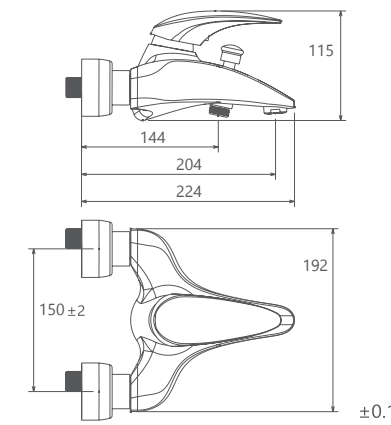
Zedra basin  
201310120005



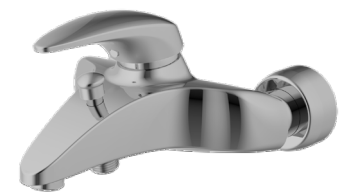
Kitchen  
201010120005



Toilet  
201030120005



Bath  
201020120005

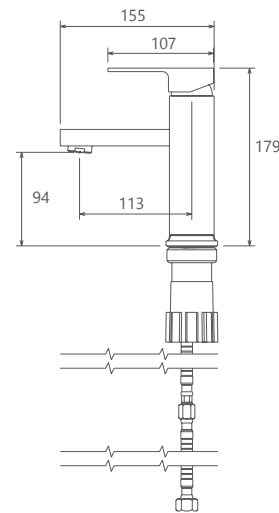


Chrome Ivory/Gold

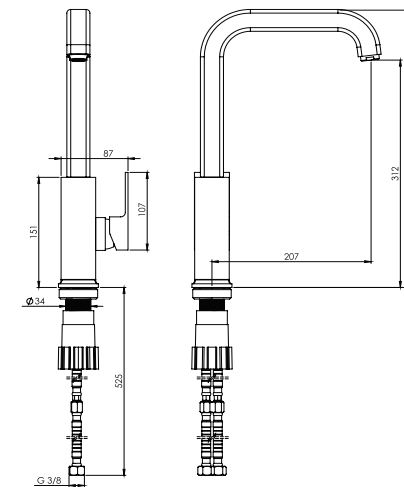
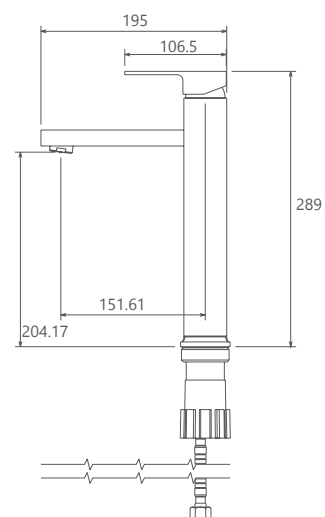
- High heat and pressure resistant ceramic cartridge
- Ergonomic structure
- Water saving perlator
- Cartridge size: 35mm
- Fast and easy installation
- %100 QC
- Easily cleanable



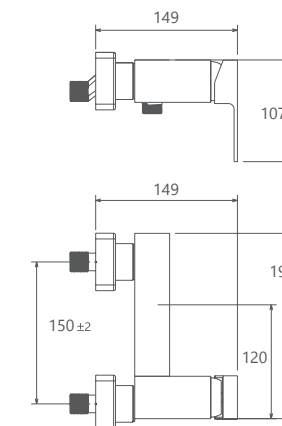
Fixed Basin  
201060190005



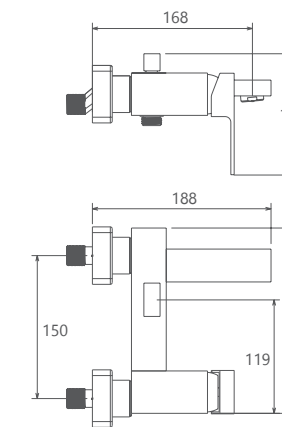
Tall basin  
201050190005



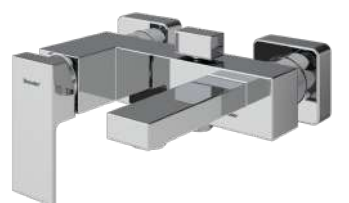
Kitchen  
201010190005



Toilet  
201030190005



Bath  
201020190005



Chrome Matte Chrome





# **Marino**

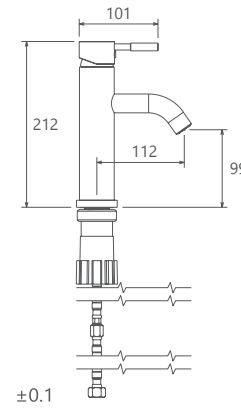
---

## Collection

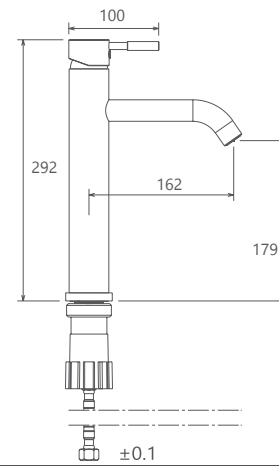
- Shower and regular kitchen
- High heat and pressure resistant ceramic cartridge
- Water saving perlator
- Less surface sedimentation due to special body design
- Fast and easy installation
- Easily cleanable
- Ergonomic structure
- Kitchen (shower type) faucet to cover larger washing areas
- Cartridge size: 35mm
- %100 QC



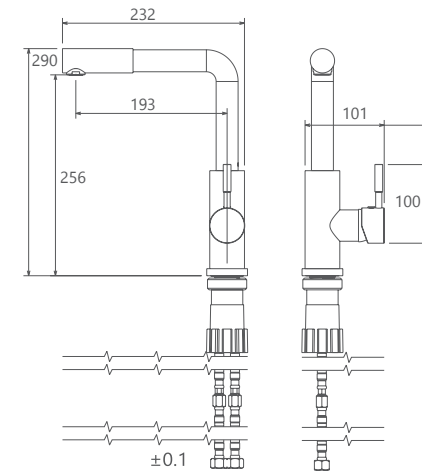
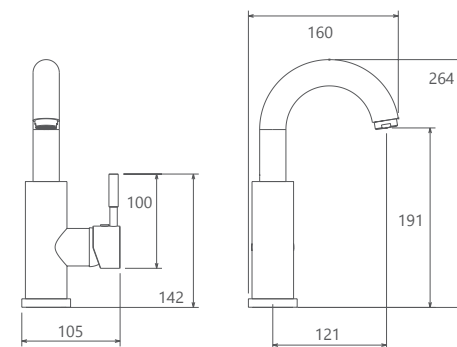
Fixed Basin  
201060170005



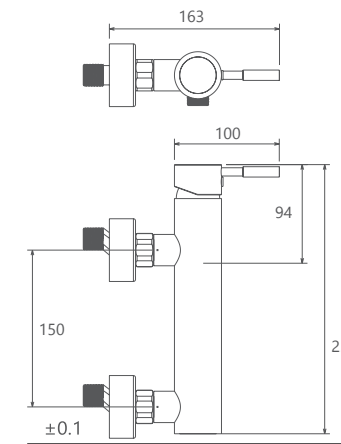
Tall basin  
201050170005



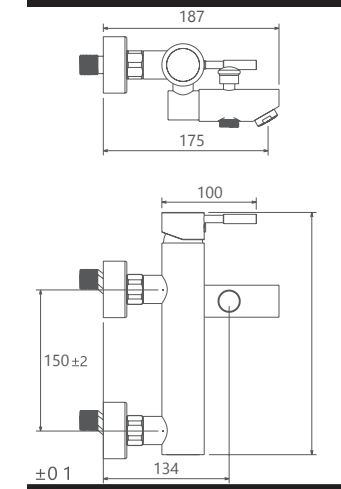
Zedra basin  
201310170005



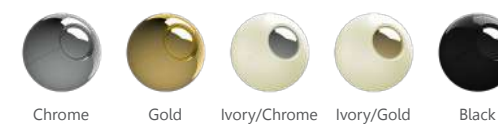
Kitchen  
201010170005



Toilet  
201030170005



Bath  
201020170005



**Because taking care of the Earth  
is important**

---

Here in Shouder we care about protecting our country's water resources and the Earth through producing faucets with water saving technology and components.





# **Lion**

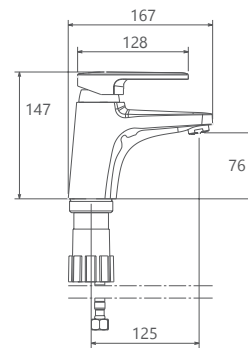
---

## Collection

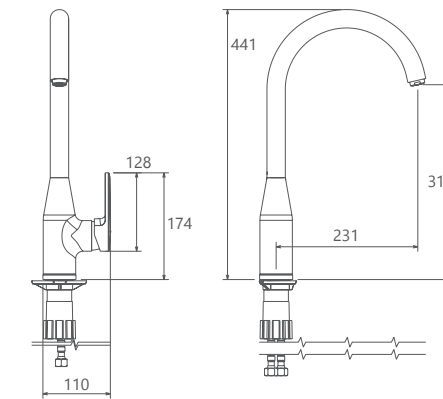
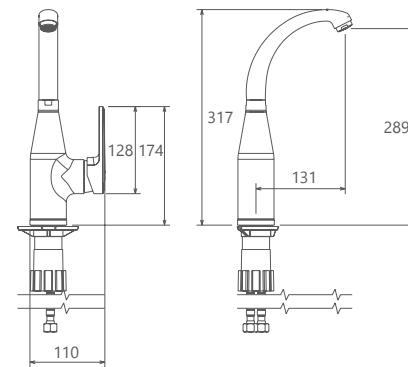
- Shower and regular kitchen
- High heat and pressure resistant ceramic cartridge
- Kitchen faucet with dual-function, sprayer head
- Water saving perlator
- Less surface sedimentation due to special body design
- Fast and easy installation
- Easily cleanable
- Ergonomic structure
- Kitchen (shower type) faucet to cover larger washing areas
- Cartridge size: 40mm
- %100 QC



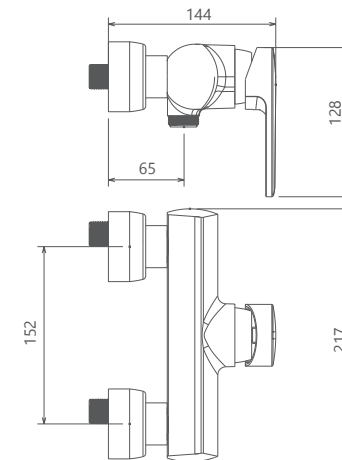
Fixed Basin  
201060160005



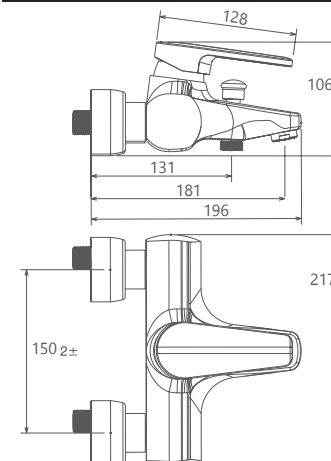
Zedra basin  
201310160005



Kitchen  
201010160005



Toilet  
201030160005



Bath  
201020160005



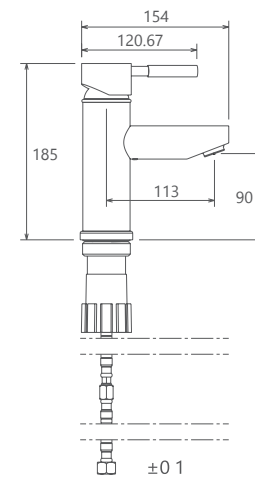
# Kitchen Monaco Plus



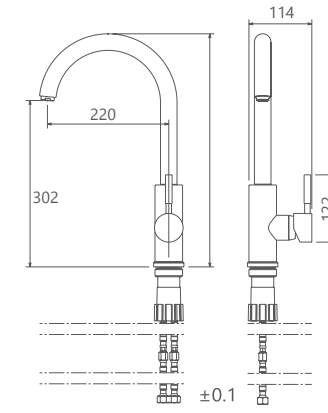
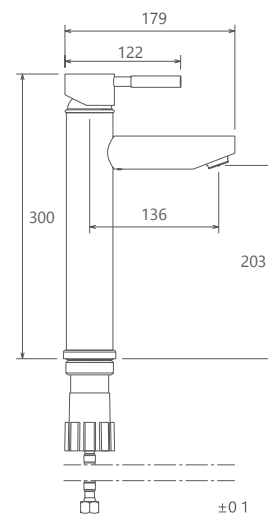
- High heat and pressure resistant ceramic cartridge
- Easily cleanable
- Water saving perlator
- Ergonomic structure
- Less surface sedimentation due to special body design
- Cartridge size: 40mm
- Fast and easy installation
- %100 QC



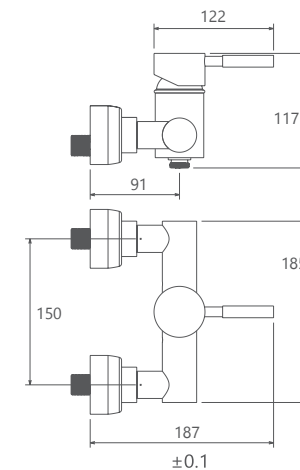
Fixed Basin  
201060150005



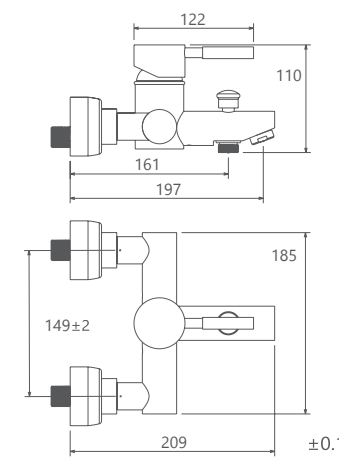
Tall basin  
201050150005



Kitchen  
201010150005



Toilet  
201030150005



Bath  
201020150005

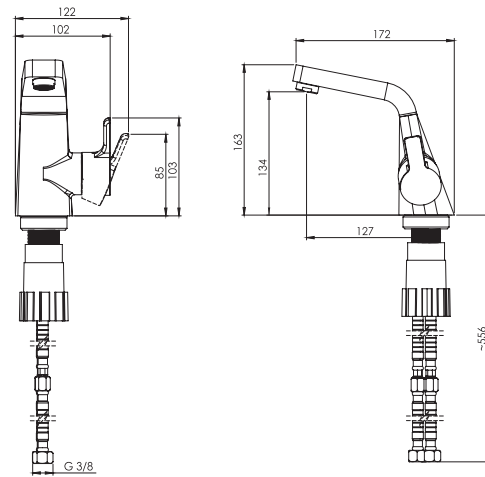


Chrome Matte chrome

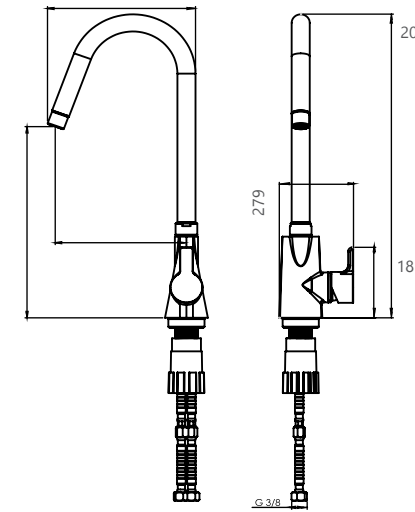
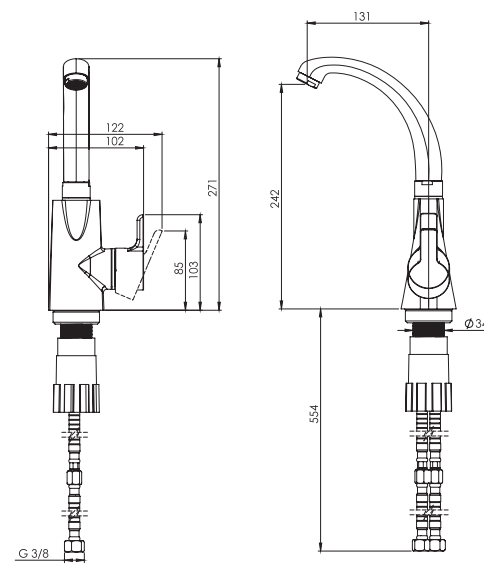
- High heat and pressure resistant ceramic cartridge
- Easily cleanable
- Water saving perlator
- Ergonomic structure
- Less surface sedimentation due to special body design
- Cartridge size: 35 mm
- Fast and easy installation
- %100 QC



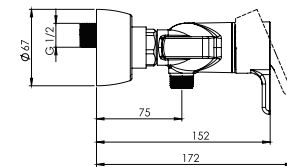
Fixed Basin  
201060090005



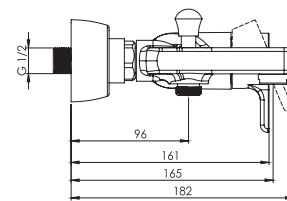
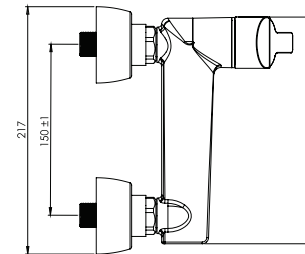
Zedra basin  
201310090005



Kitchen  
201010090005



Toilet  
201030090005



Bath  
201020090005

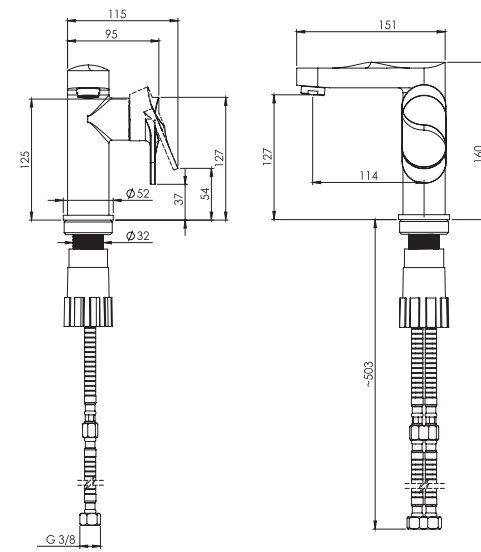




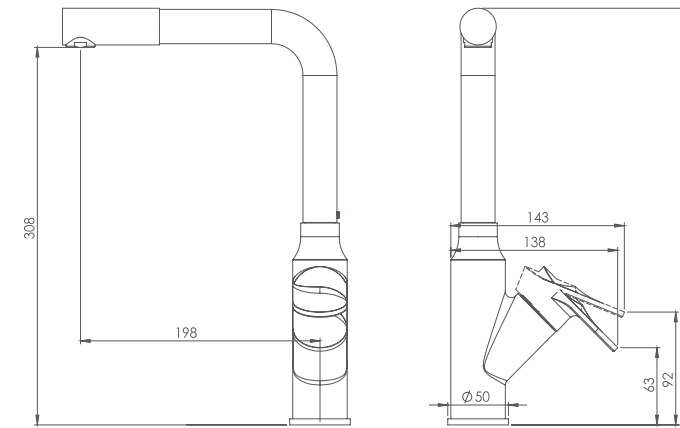
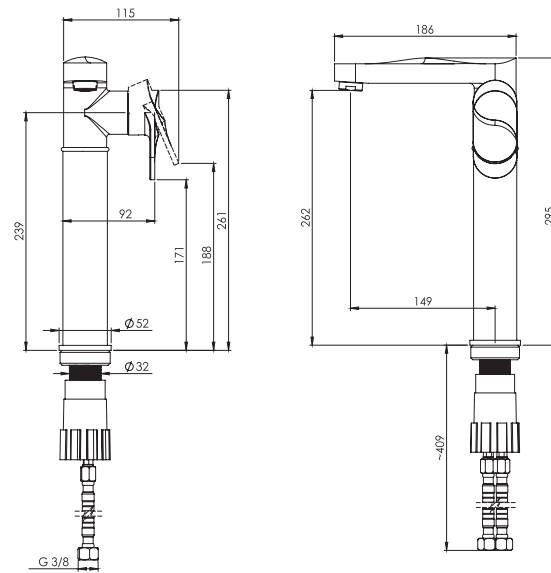
- High heat and pressure resistant ceramic cartridge
- Water saving perlator
- Less surface sedimentation due to special body design
- Fast and easy installation
- Easily cleanable
- Ergonomic structure
- Cartridge size: 40mm
- %100 QC



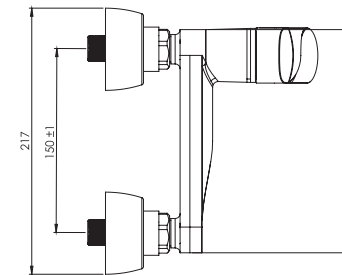
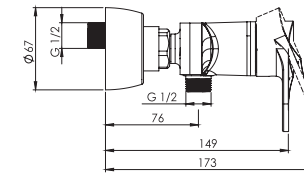
Fixed Basin  
201060100005



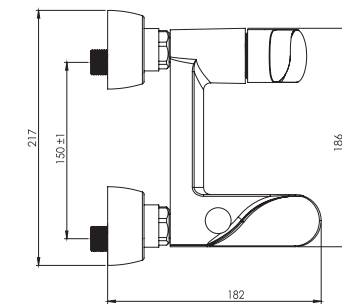
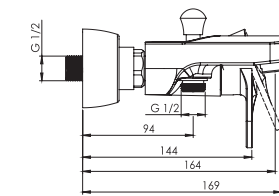
Tall basin  
201050100005



Kitchen  
201010100005



Toilet  
201030100005



Bath  
201020100005





# Lord

---

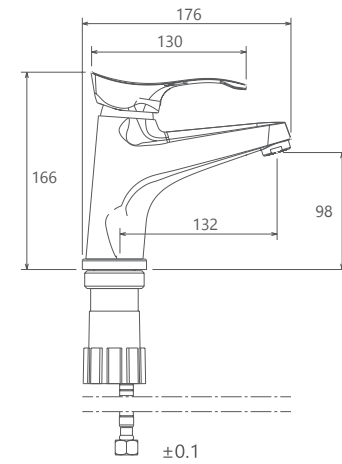
## Collection

- Shower and regular kitchen
- High heat and pressure resistant ceramic cartridge
- Water saving perlator
- Less surface sedimentation due to special body design
- Fast and easy installation
- Easily cleanable

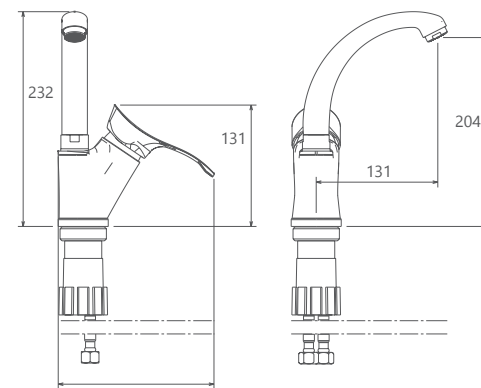
- Ergonomic structure
- Kitchen (shower type) faucet to cover larger washing areas
- Kitchen faucet with dual-function, sprayer head
- Cartridge size: 40 mm
- %100 QC



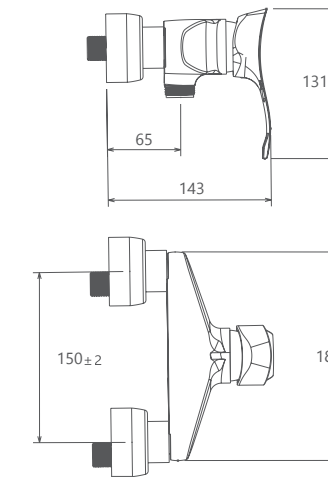
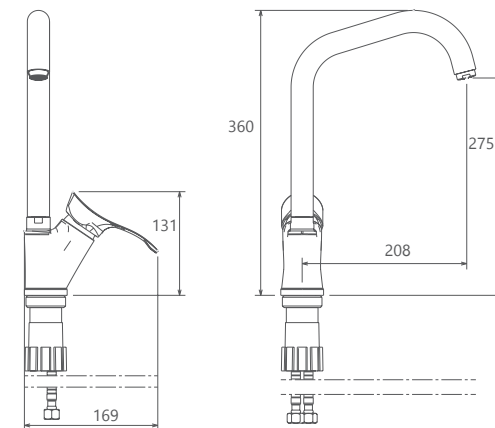
Fixed Basin  
201060080005



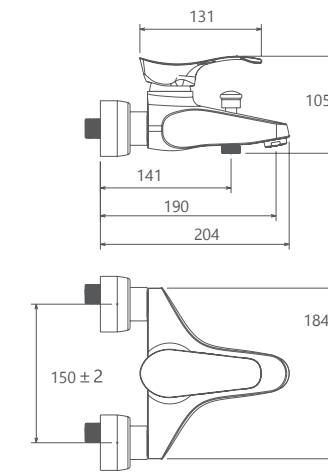
Zedra basin  
201310080005



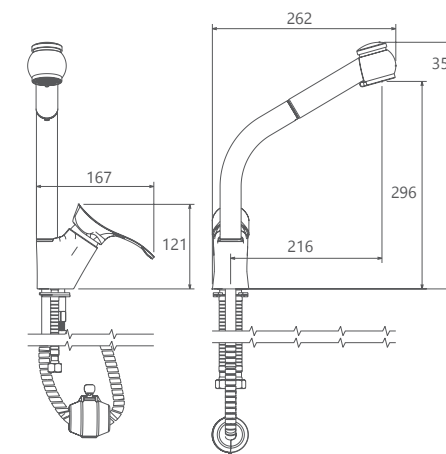
Kitchen  
201010080005



Toilet  
201030080005



Bath  
201020080005



Pull down  
201080080005

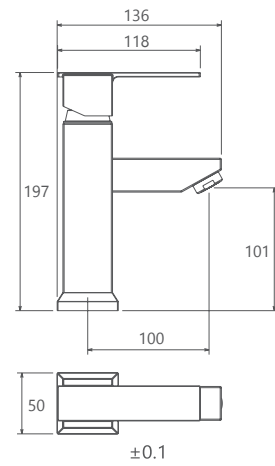


Chrome White/Chrome

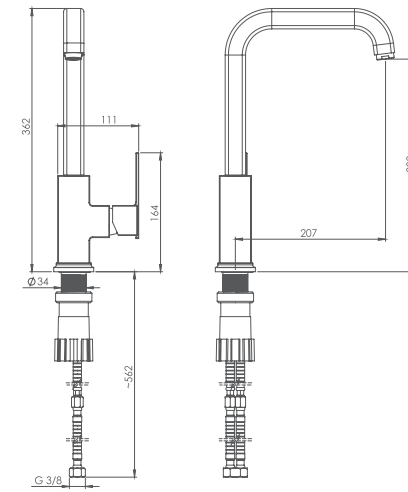
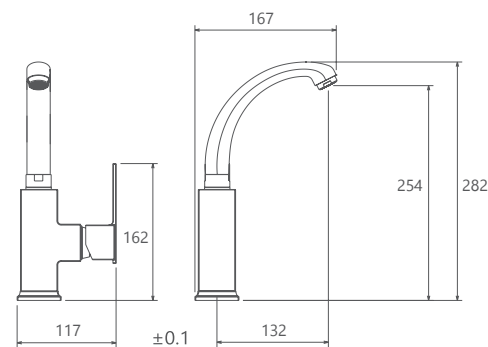
- Kitchen faucet (Regular and Spring types)
- High heat and pressure resistant ceramic cartridge
- Water saving perlator
- Fast and easy installation
- Easily cleanable
- Ergonomic structure
- Cartridge size: 35mm
- %100 QC



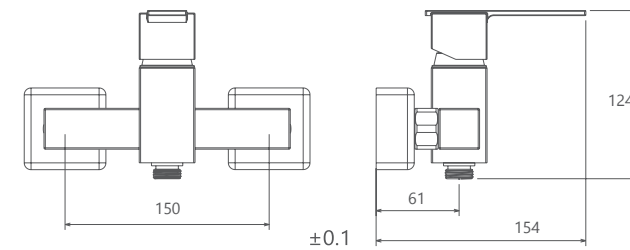
Fixed Basin  
201060070005



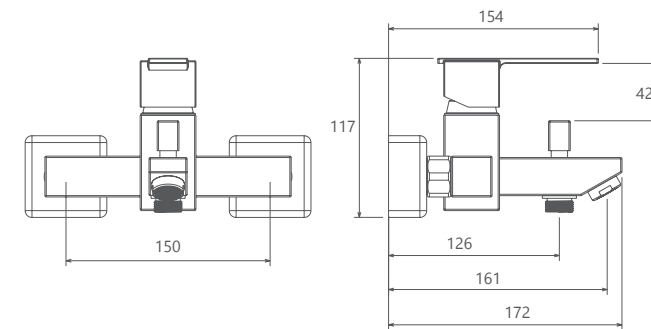
Zedra basin  
201310070005



Kitchen  
201010070005



Toilet  
201030070005



Bath  
201020070005

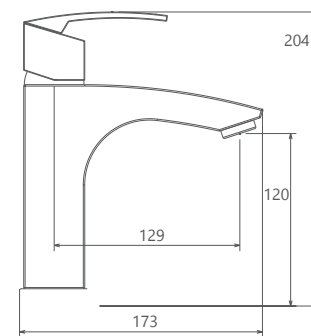


Chrome

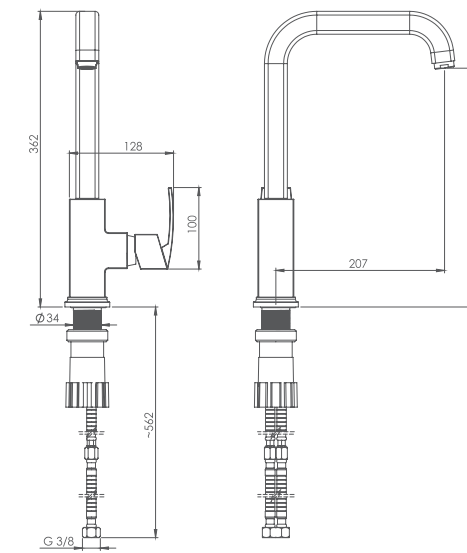
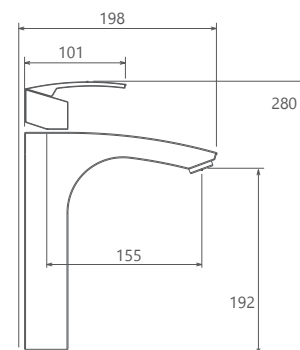
- Kitchen faucet (Regular and Spring types)
- High heat and pressure resistant ceramic cartridge
- Water saving perlator
- Less surface sedimentation due to special body design
- Fast and easy installation
- Easily cleanable
- Ergonomic structure
- Cartridge size: 35 mm
- %100 QC



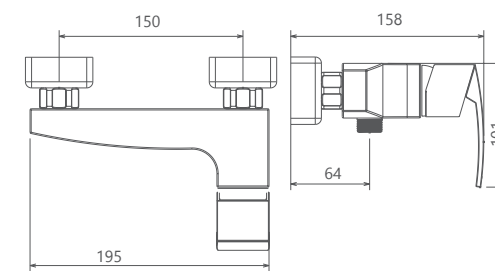
Fixed Basin  
201060140005



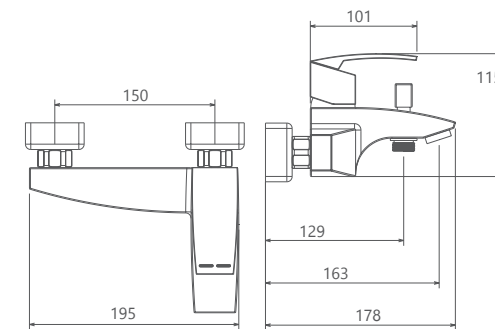
Tall basin  
201050140005



Kitchen  
201010140005



Toilet  
201030140005



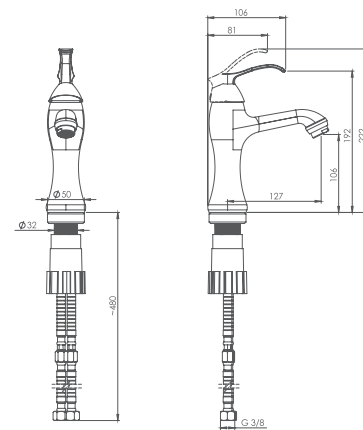
Bath  
201020140005



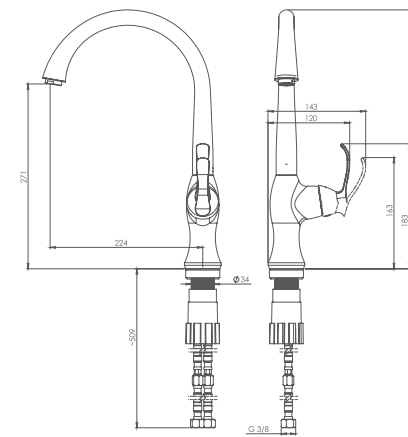
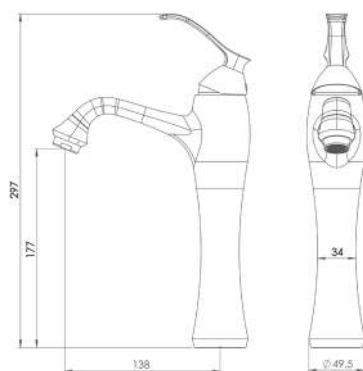
- Shower and regular kitchen
- High heat and pressure resistant ceramic cartridge
- Water saving perlator
- Less surface sedimentation due to special body design
- Fast and easy installation
- Easily cleanable
- Ergonomic structure
- Kitchen (shower type) faucet to cover larger washing areas
- Cartridge size: 35mm
- %100 QC



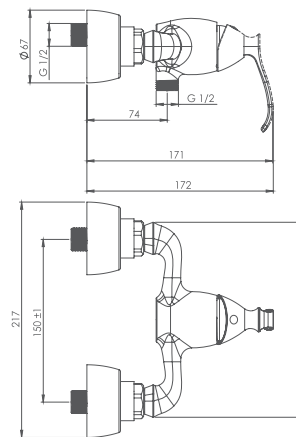
Fixed Basin  
201060110005



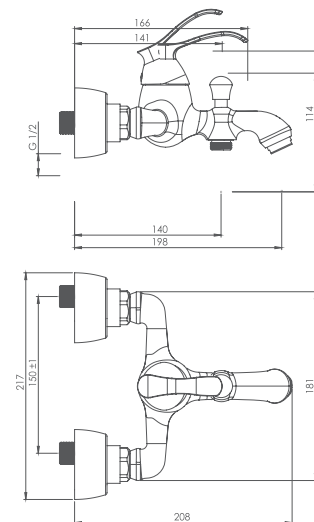
Tall basin  
201050110005



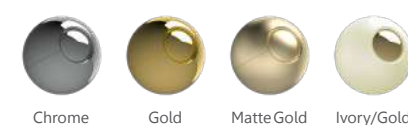
Kitchen  
201010110005



Toilet  
201030110005



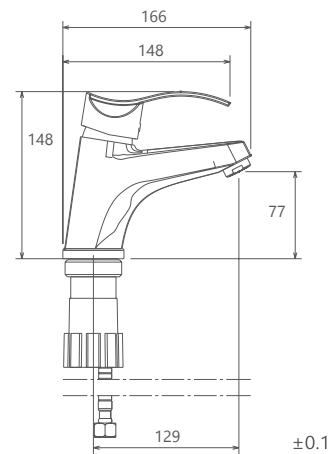
Bath  
201020110005



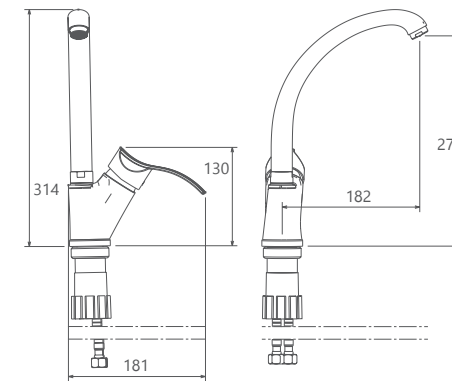
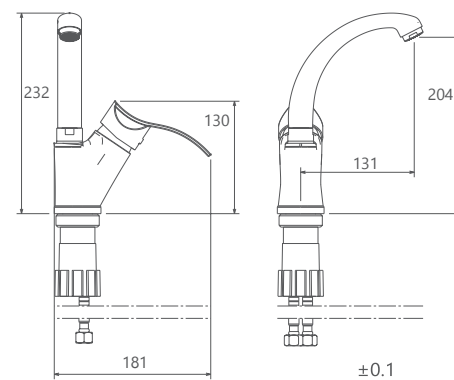
- Shower and regular kitchen
- High heat and pressure resistant ceramic cartridge
- Water saving perlator
- Less surface sedimentation due to special body design
- Fast and easy installation
- Easily cleanable
- Ergonomic structure
- Kitchen (shower type) faucet to cover larger washing areas
- Cartridge size: 35mm
- %100 QC



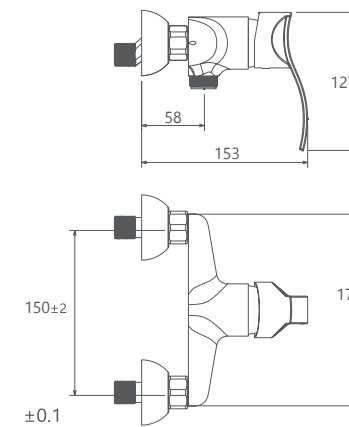
Fixed Basin  
201060050005



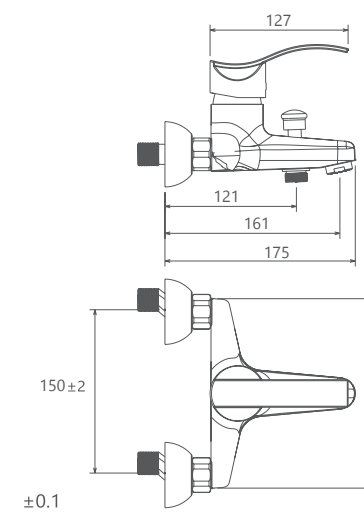
Tall basin  
201310050005



Kitchen  
201010050005



Toilet  
201030050005



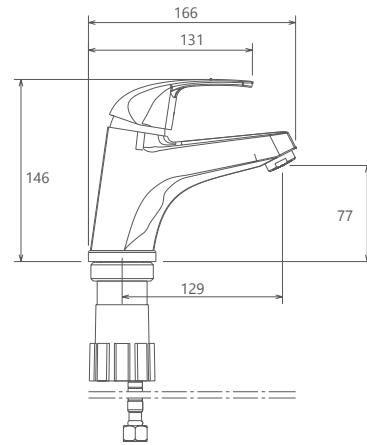
Bath  
201020050005



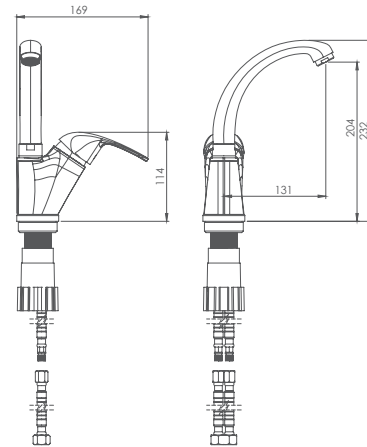
- Shower and regular kitchen
- Kitchen faucet (Regular and Spring types)
- High heat and pressure resistant ceramic cartridge
- Water saving perlator
- Less surface sedimentation due to special body design
- Fast and easy installation
- Easily cleanable
- Ergonomic structure
- Kitchen (shower type) faucet to cover larger washing areas
- Cartridge size: 40 mm
- %100 QC



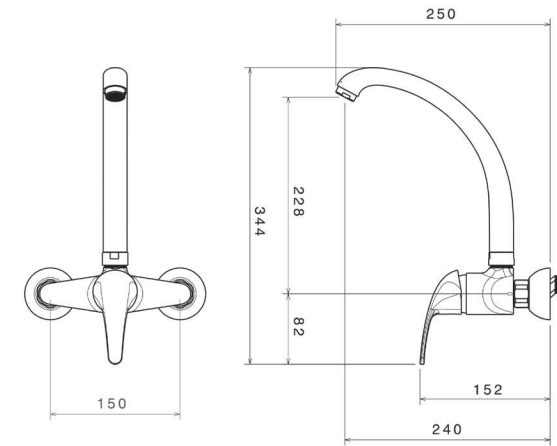
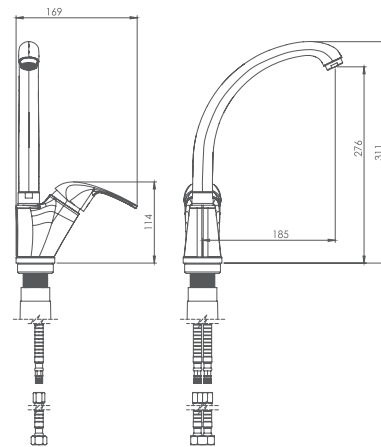
Fixed Basin  
201060030005



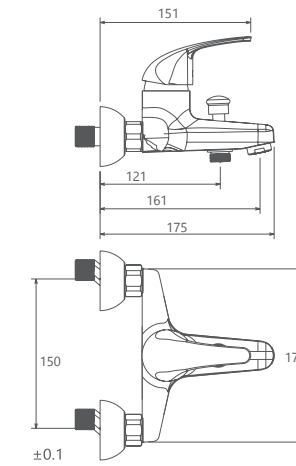
Zedra basin  
201310030005



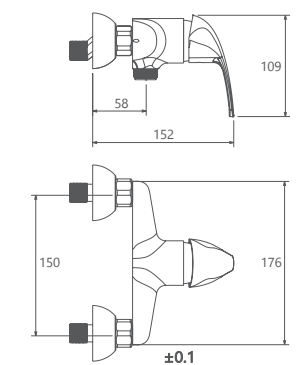
Kitchen  
201010030005



Wall-mounted kitchen  
201090030005



Toilet  
201090030005



Bath  
201020030005



Chrome





# Plus

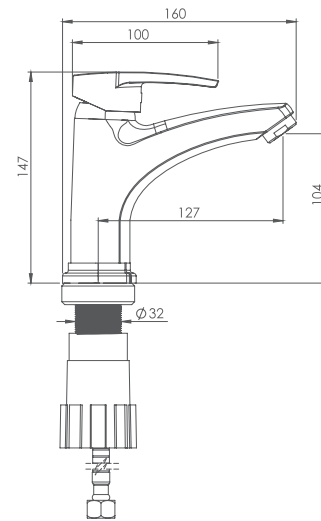
---

## Collection

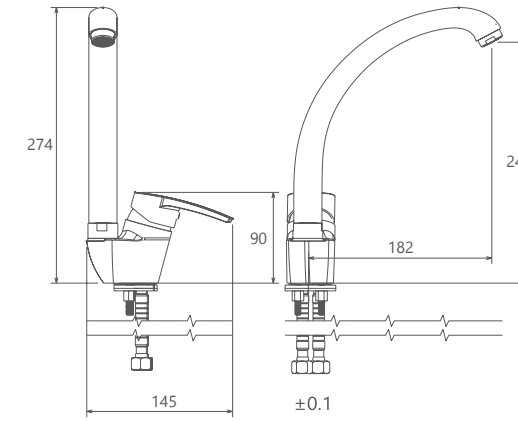
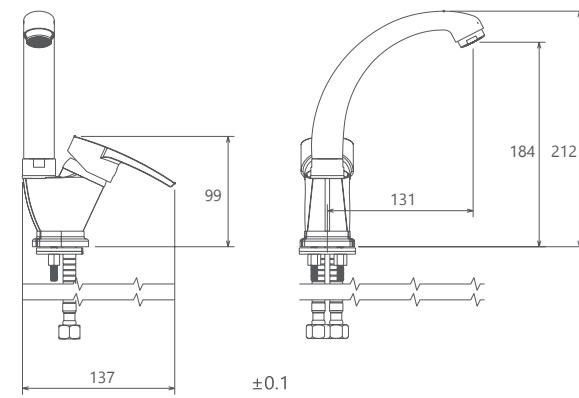
- High heat and pressure resistant ceramic cartridge
- Easily cleanable
- Water saving perlator
- Ergonomic structure
- Less surface sedimentation due to special body design
- Cartridge size: 35mm
- Fast and easy installation
- %100 QC



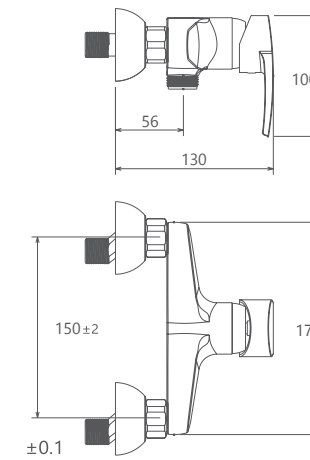
Fixed Basin  
201060020005



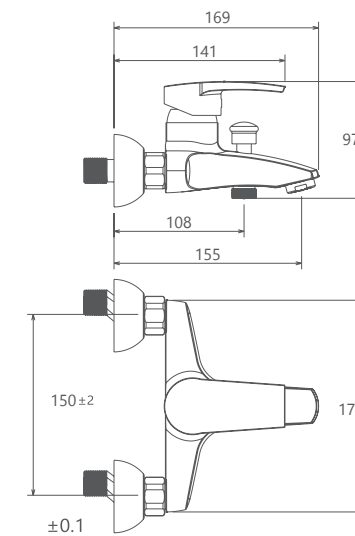
Zedra basin  
201310020005



Kitchen  
201010020005



Toilet  
201030020005



Bath  
201020020005

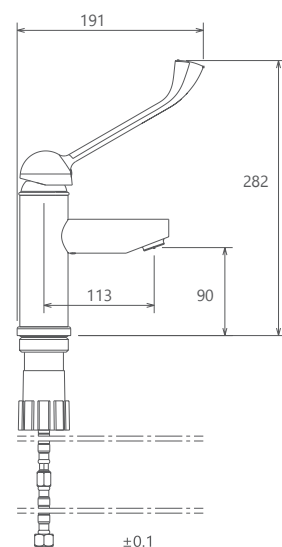


Chrome

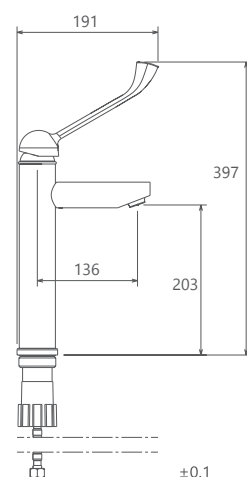
- High heat and pressure resistant ceramic cartridge
- Easily cleanable
- Water saving perlator
- Ergonomic structure
- Less surface sedimentation due to special body design
- Cartridge size: 40 mm
- Fast and easy installation
- %100 QC



Fixed Basin  
201060500005



Tall basin  
201050500005



Chrome



Hospital Collection



## Beauty at the heart of home

---

Many people pass long hours in the kitchen. Therefore, it is better to have more attractive and comfortable kitchens. Shouder kitchen faucets take an important role for kitchen beauty and quality.



# Akhen

---

New Collection



# Aider

---

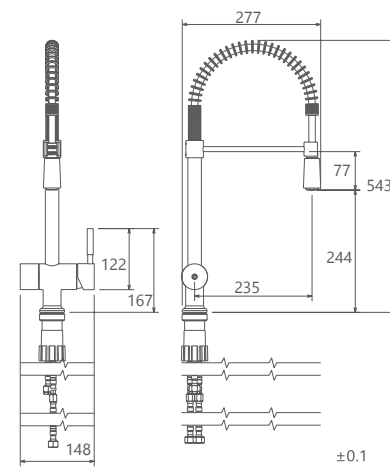
New Collection

- High heat and pressure resistant ceramic cartridge
- With direct connection to water treatment machine
- State-of-the-art physical vapor deposition (PVD) coating
- Water saving perlator
- Easily cleanable
- Fast and easy installation
- Ergonomic structure
- Cartridge size: 35mm
- %100 QC
- Higher flexibility

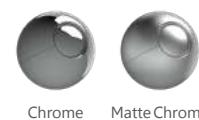
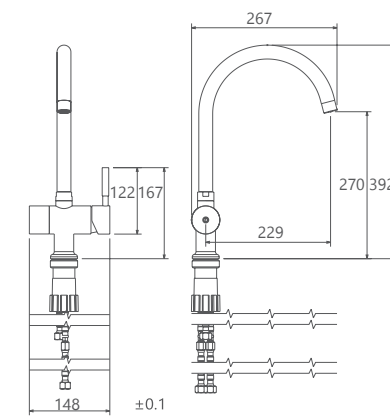
Spring kitchen sink tap mixers type model, dual-purpose kitchen, with three cold water, warm water and water treatment machine inlets beneath the faucet. This faucet has two cold-warm water and water treatment machine levers. With water outlet for domestic water and water treatment machine water.



spring kitchen water filter  
201100280005

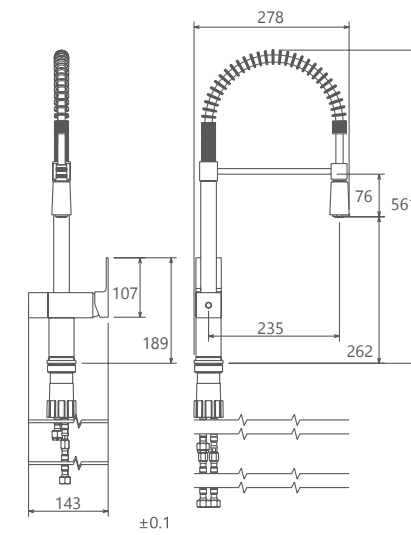


Dual-purpose kitchen  
201100260005

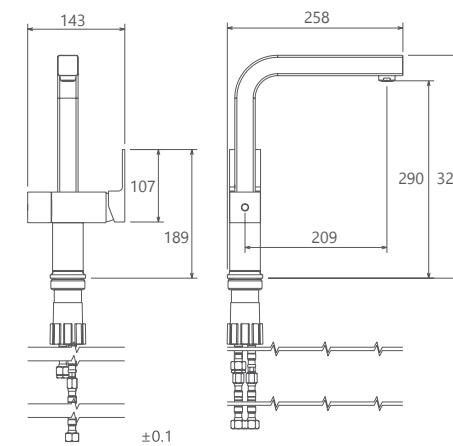


- High heat and pressure resistant ceramic cartridge
- With direct connection to water treatment machine
- State-of-the-art physical vapor deposition (PVD) coating
- Water saving perlator
- Easily cleanable
- Fast and easy installation
- Ergonomic structure
- Cartridge size: 35mm
- %100 QC
- Higher flexibility

Spring kitchen sink tap mixers type model, dual-purpose kitchen, with three cold water, warm water and water treatment machine inlets beneath the faucet. This faucet has two cold-warm water and water treatment machine levers. With water outlet for domestic water and water treatment machine water.



spring kitchen water filter  
201100290005



Dual-purpose kitchen  
201100270005



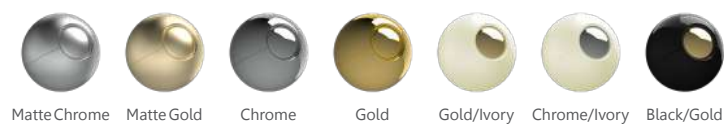
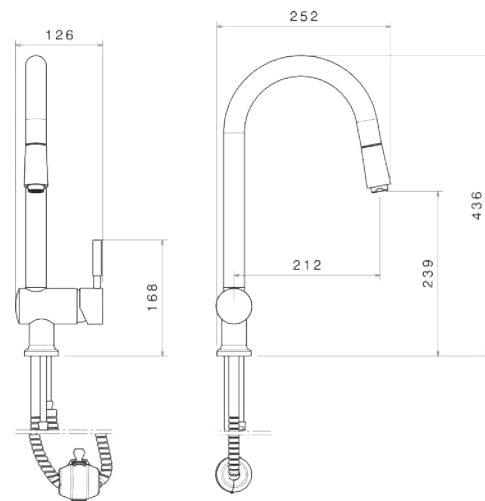
- High heat and pressure resistant ceramic cartridge
- With direct connection to water treatment machine
- Less surface sedimentation due to special body design
- Electrostatic powder paint coating (THK > 100µ)
- State-of-the-art physical vapor deposition (PVD) coating
- Fast and easy installation
- Easily cleanable
- Ergonomic structure
- Cartridge size: 40 mm
- %100 QC



Alster Kitchen mixer Type model, dual-purpose kitchen, with three cold water, warm water and water treatment machine inlets beneath the faucet. This faucet has two cold-warm water and water treatment machine levers. With water outlet for domestic water and water treatment machine water.



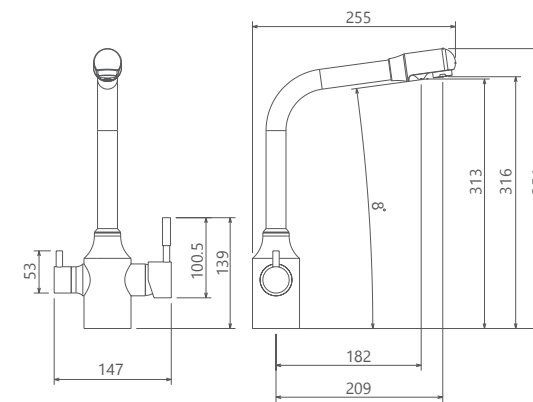
Pull Down Kitchen  
201080150005



- High heat and pressure resistant ceramic cartridge
- Water saving perlator
- With direct connection to water treatment machine
- Fast and easy installation
- Easily cleanable
- Separate way at tap outlet for filter purified water
- Less surface sedimentation due to special body design
- Ergonomic structure
- Cartridge size: 35 mm
- %100 QC



Dual-Function Alberta Type model, dual-purpose kitchen, with three cold water, warm water and water treatment machine inlets beneath the faucet. This faucet has two cold-warm water and water treatment machine levers. With water outlet for domestic water and water treatment machine water.



Dual-purpose kitchen  
201100300005







# Aksel

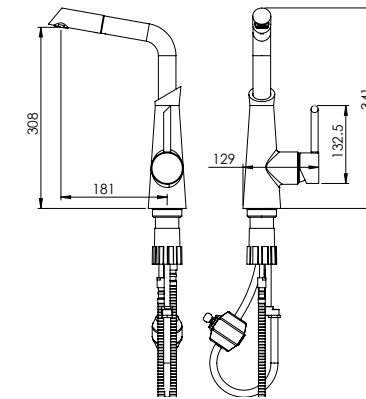
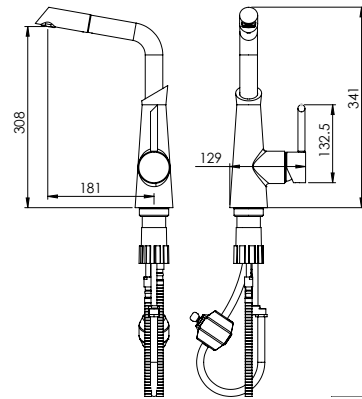
---

## Collection

- High heat and pressure resistant ceramic cartridge
- Water saving perlator
- Less surface sedimentation due to special body design
- With antibacterial feature using advanced technology
- State-of-the-art physical vapor deposition (PVD) coating
- Fast and easy installation
- Easily cleanable
- Ergonomic structure
- Cartridge size: 40 mm
- %100 QC



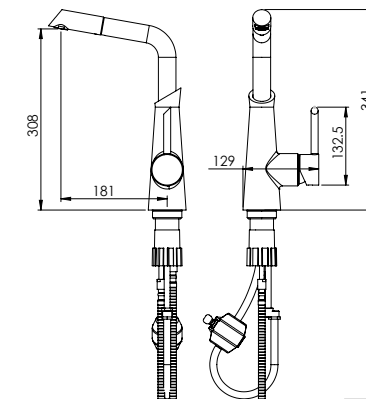
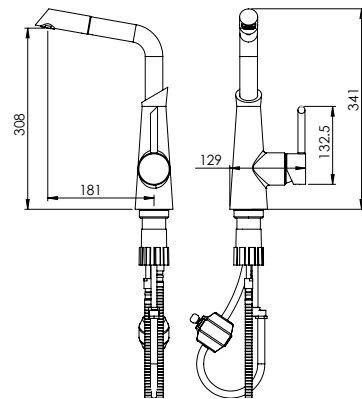
Chrome / Red  
201080810005



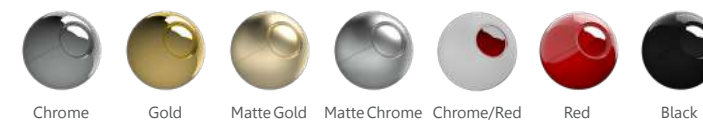
Gold  
201080000004



Chrome  
201080810005

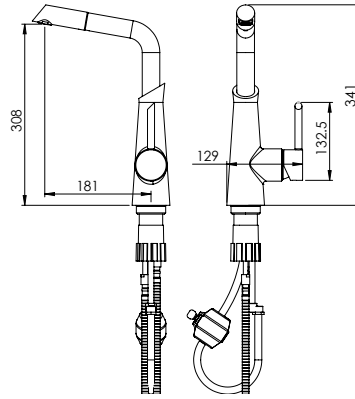


Gold/ Matte  
201080000005

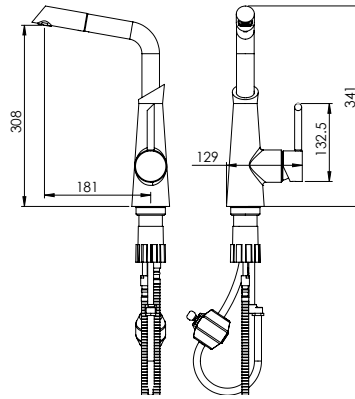




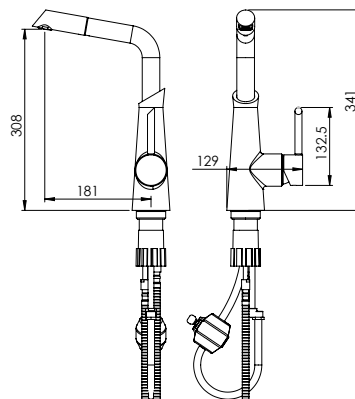
Matte Chrome  
201080810005



Black  
201080810005



Red  
201080810005



Kitchen | Aksel Collection



# Iten

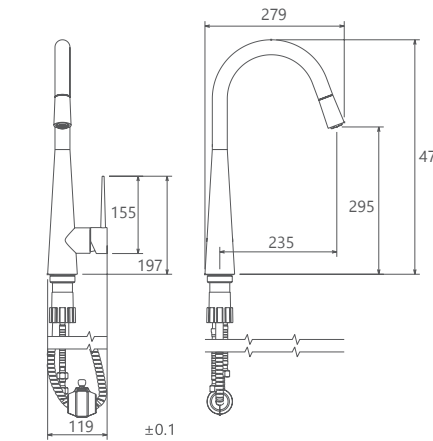
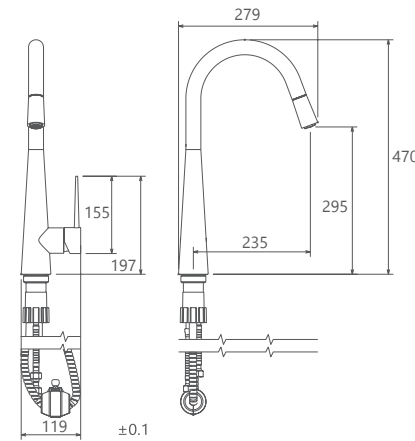
---

## Collection

- High heat and pressure resistant ceramic cartridge
- Water saving perlator
- Less surface sedimentation due to special body design
- With antibacterial feature using advanced technology
- State-of-the-art physical vapor deposition (PVD) coating
- Fast and easy installation
- Easily cleanable
- Ergonomic structure
- Cartridge size: 40 mm
- %100 QC



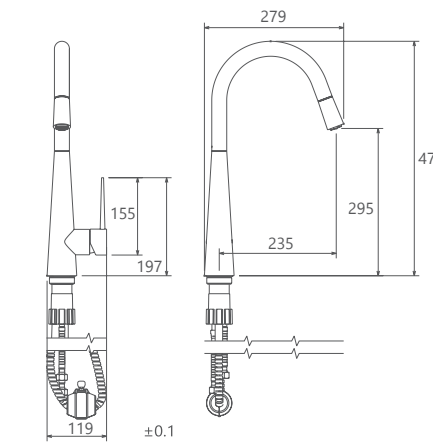
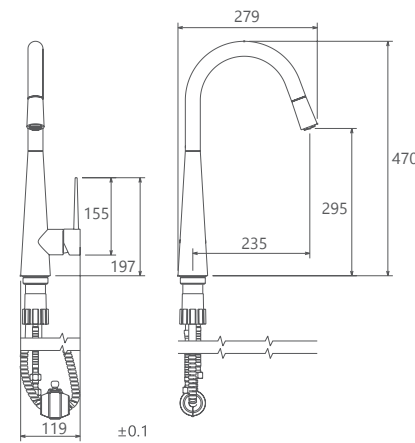
Chrome  
201080250005



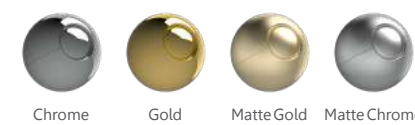
Gold  
201080250018



Matte Chrome  
201080250007

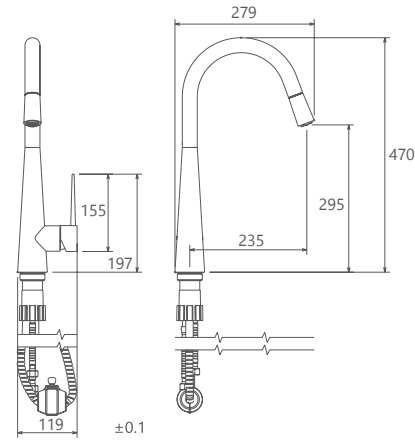


Matte Gold  
201080250019

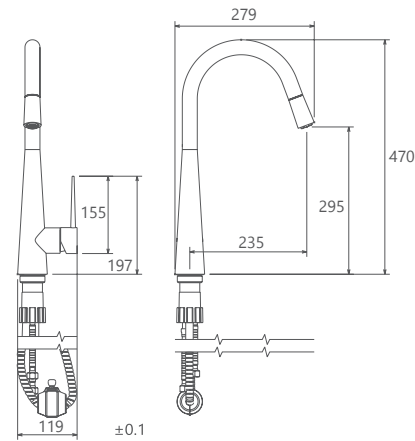




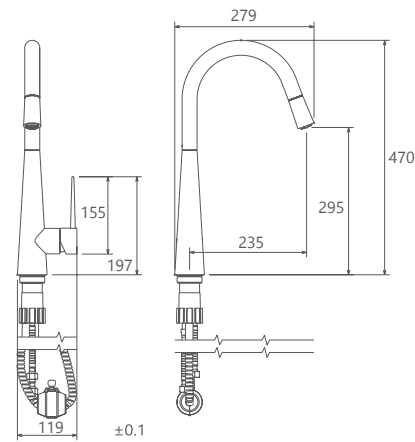
Ivory  
20108000021



White  
20108000008



Gray  
20108000023



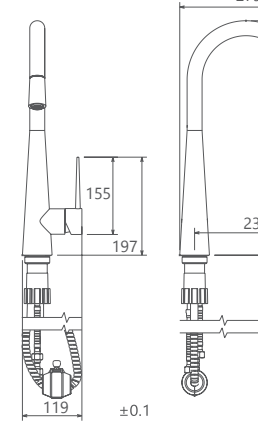
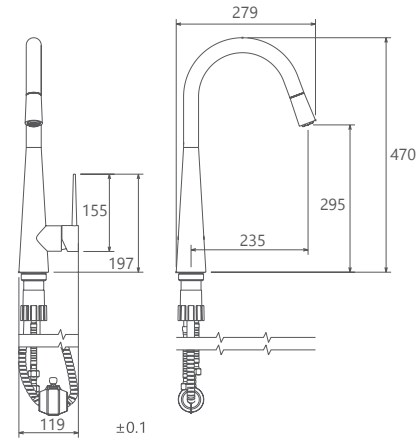
Gray White Ivory



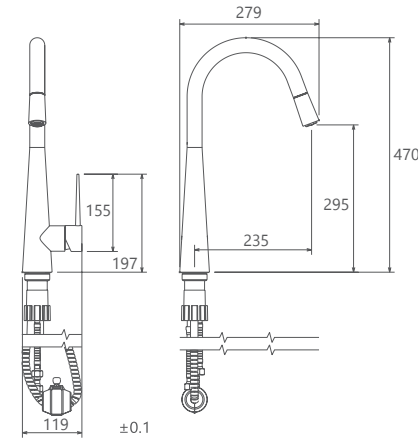
Kitchen | Iten Collection



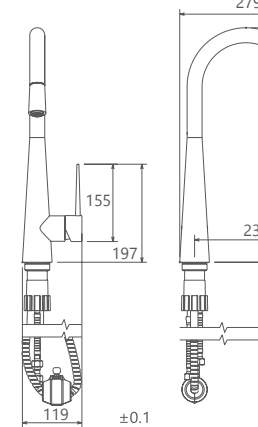
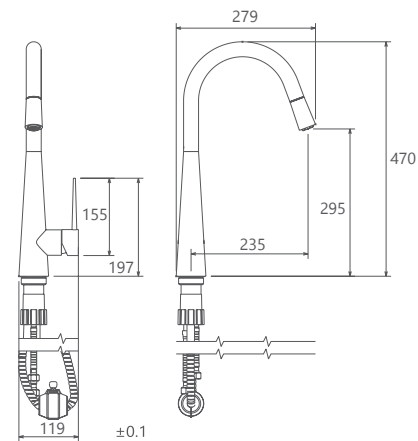
Yellow  
201080250017



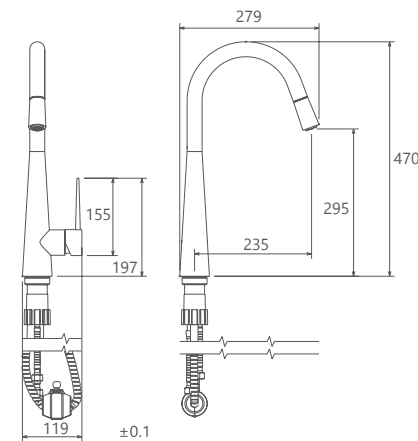
Blue  
201080000022



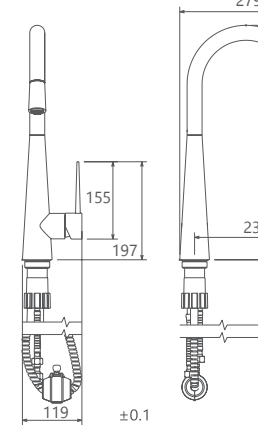
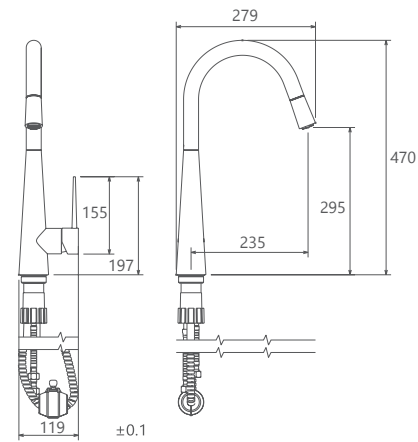
Orange  
201080250014



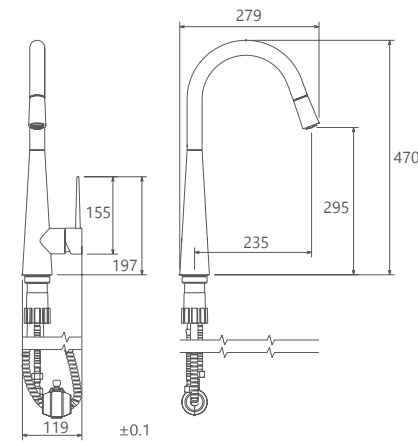
Green  
201080250015



Red  
201080250013



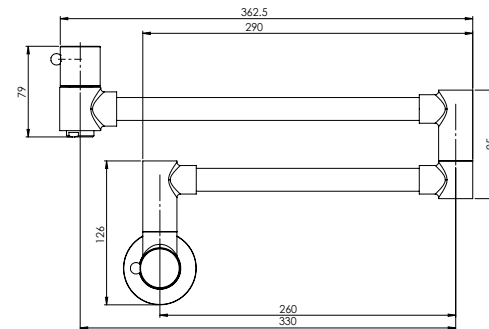
Black  
201080000020



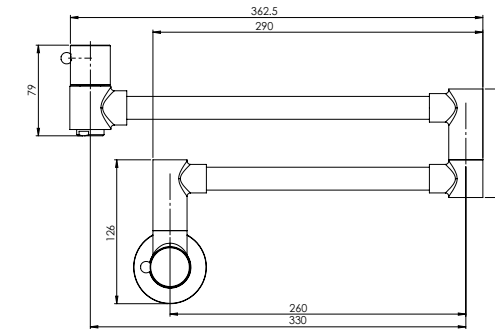
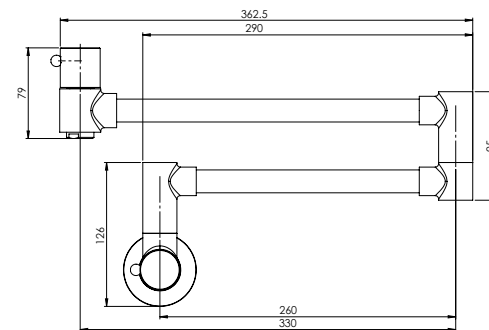
- High heat and pressure resistant ceramic cartridge
- Water saving perlator
- Less surface sedimentation due to special body design
- With antibacterial feature using advanced technology
- State-of-the-art physical vapor deposition (PVD) coating
- Fast and easy installation
- Easily cleanable
- Ergonomic structure
- Cartridge size: 40 mm
- %100 QC



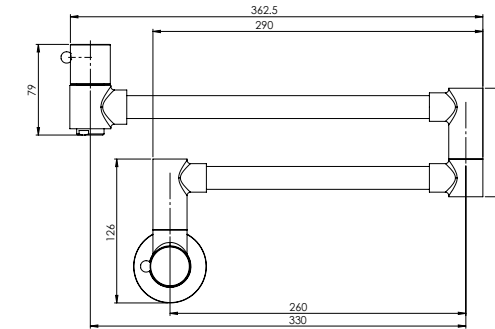
Chrome  
201300170005



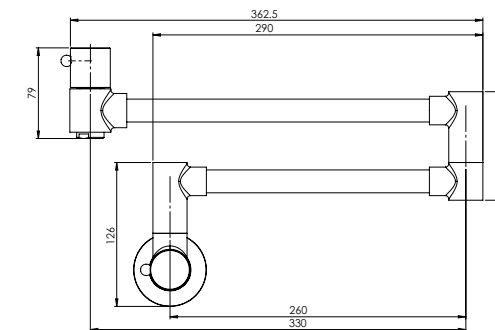
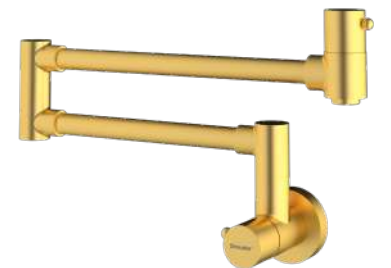
Matte Chrome  
201300000002



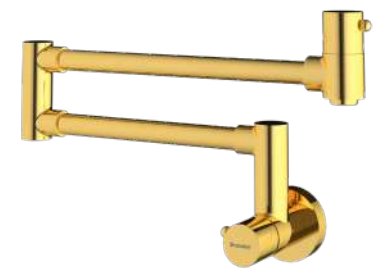
Black  
201300000003



Matte Gold  
201300000004



Gold  
201300000001







# Concealed

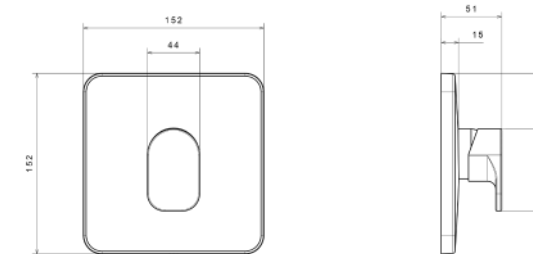
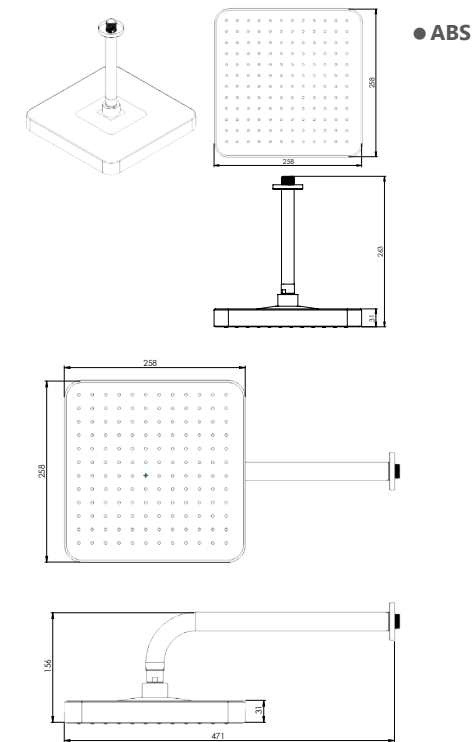
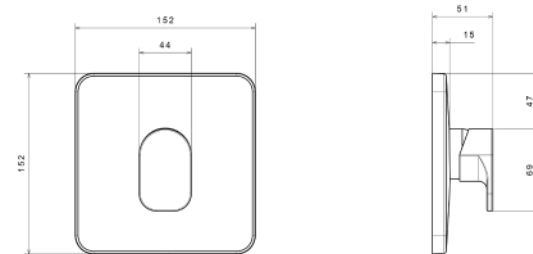
---

# Collection

- High heat and pressure resistant ceramic cartridge
- Fast and easy installation
- Shower head silicon nozzles with less sedimentation
- Concealed showers, offered in two wall and/or ceiling mounted types
- Access to interior parts without damaging the wall
- Flexible for layout
- Less space occupancy
- Easily cleanable
- Ergonomic structure
- Cartridge size: 35 mm
- %100 QC

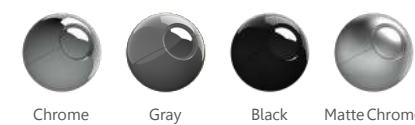


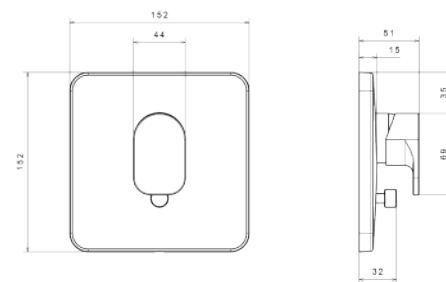
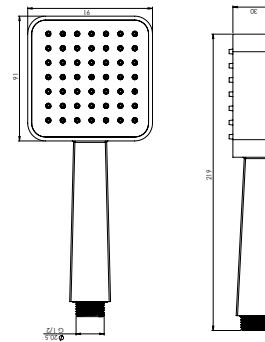
**Toilet**  
303400000040



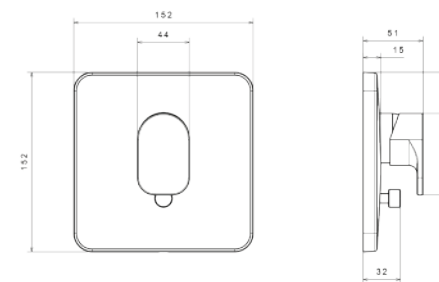
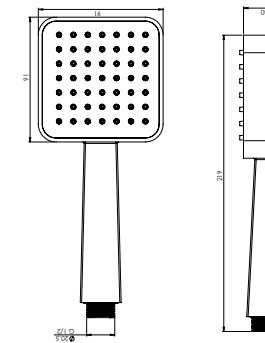
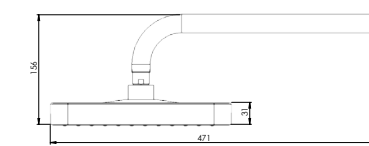
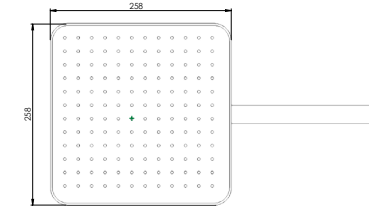
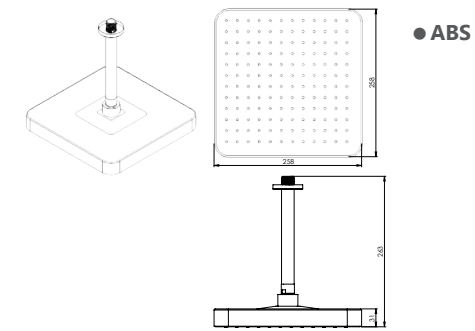
**Bathroom - Type 1 - wall - ABS**  
202150000003

**Bathroom - Type 1 - ceiling - ABS**  
202150000002



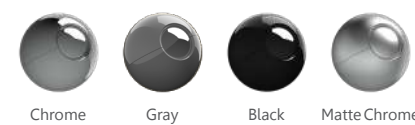


Bathroom - Type 2  
20215000004



Bathroom - Type 3 - wall - ABS  
20215000006

Bathroom - Type 3 - ceiling - ABS  
20215000005

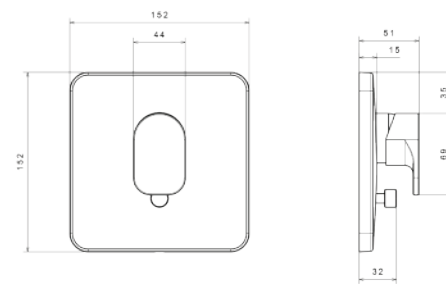
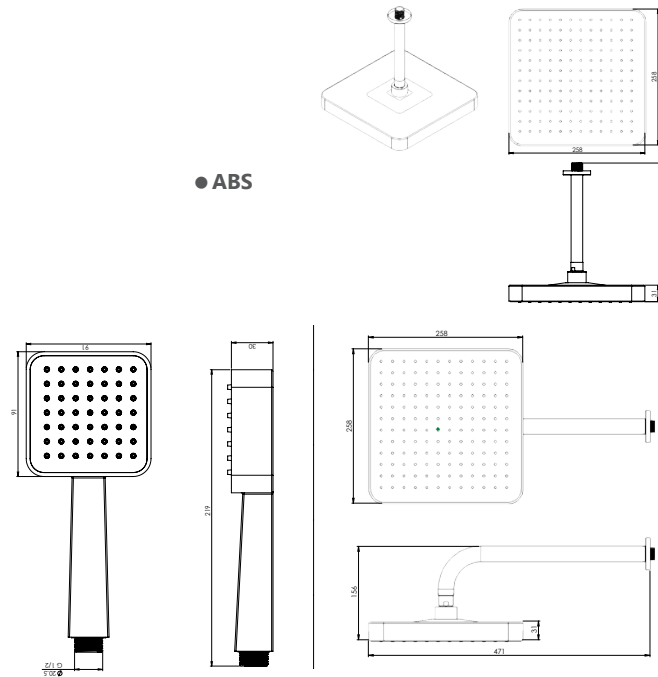


Chrome Gray Black Matte Chrome





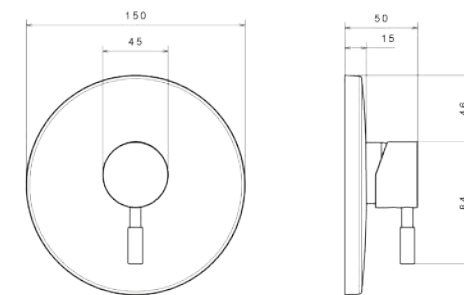
● ABS



Bathroom - Type 4 - wall - ABS  
20215000008

Bathroom - Type 4 - ceiling - ABS  
20215000007

- High heat and pressure resistant ceramic cartridge
- Flexible for layout
- Fast and easy installation
- Less space occupancy
- Shower head silicon nozzles with less sedimentation
- Easily cleanable
- Concealed showers, offered in two wall and/or ceiling mounted types
- Ergonomic structure
- Access to interior parts without damaging the wall
- Cartridge size: 35 mm
- %100 QC

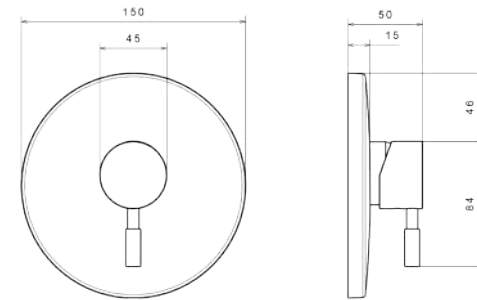
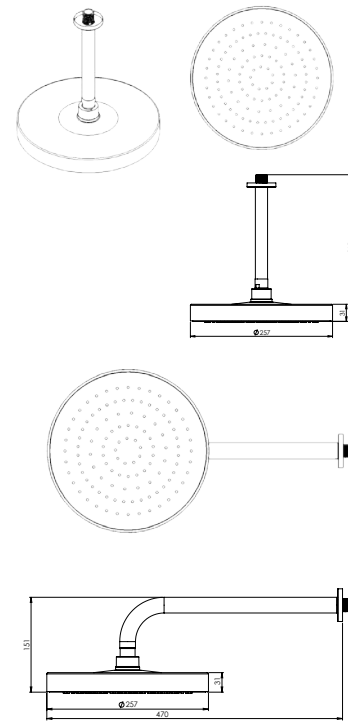


Toilet  
30340000032



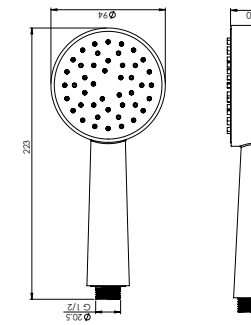


● ABS

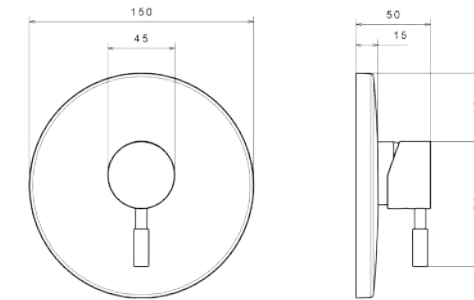


Bathroom - Type 1 - wall - ABS  
20215000023

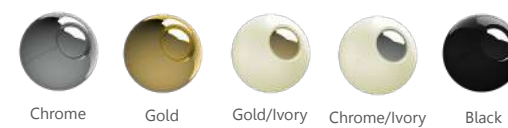
Bathroom - Type 1 - ceiling - ABS  
20215000001



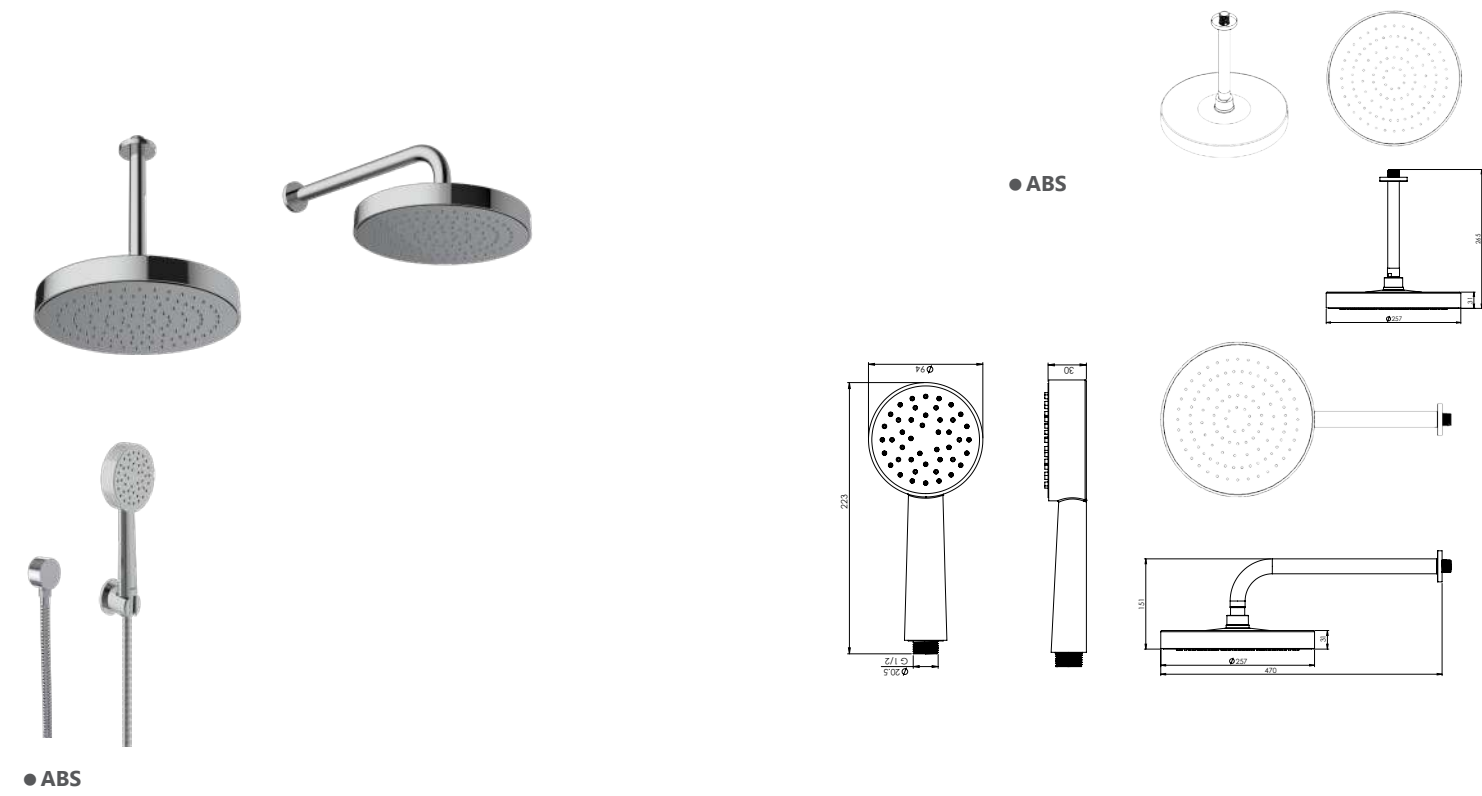
● ABS



Bathroom - Type 2  
20215000024

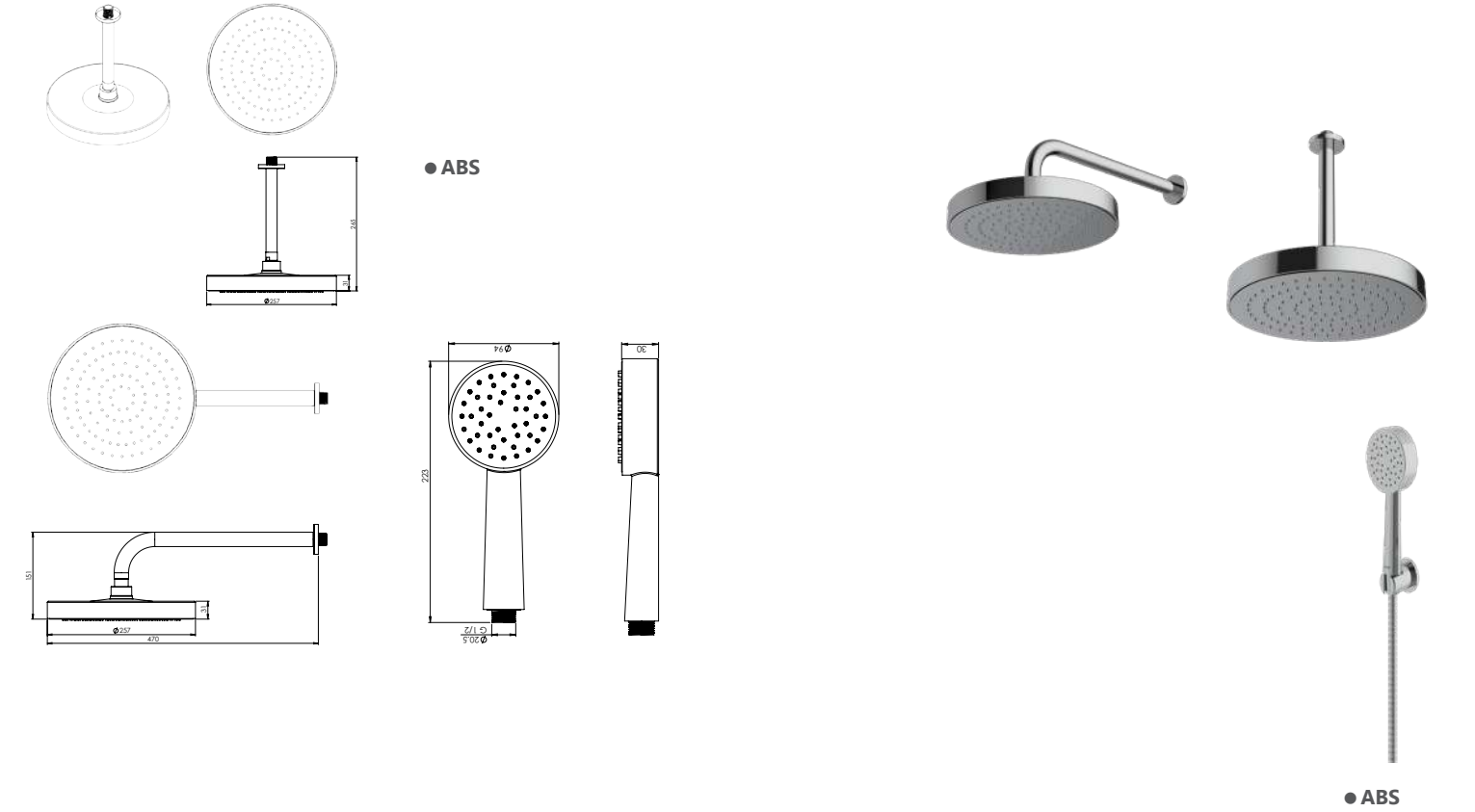


Chrome Gold Gold/Ivory Chrome/Ivory Black



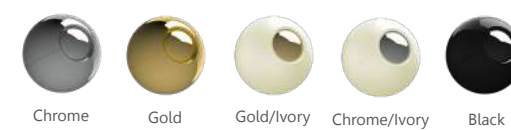
Bathroom - Type 3 - wall - ABS  
20215000026

Bathroom - Type 3 - ceiling - ABS  
20215000025

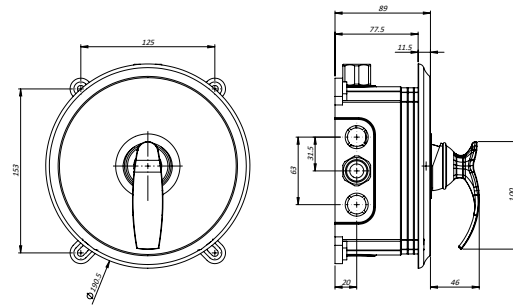


Bathroom - Type 4 - wall - ABS  
20215000028

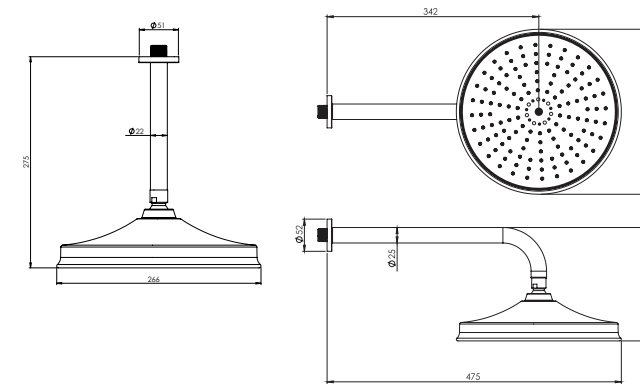
Bathroom - Type 4 - ceiling - ABS  
20215000027



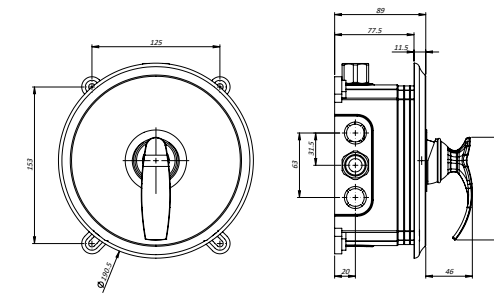
- High heat and pressure resistant ceramic cartridge
- Fast and easy installation
- Shower head silicon nozzles with less sedimentation
- Concealed showers, offered in two wall and/or ceiling mounted types
- Access to interior parts without damaging the wall
- Flexible for layout
- Less space occupancy
- Easily cleanable
- Ergonomic structure
- Cartridge size: 35 mm
- %100 QC



**Toilet**  
202160000007

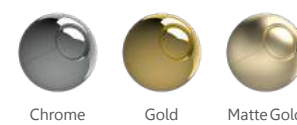


● ABS



**Bathroom - Type 1 - wall - ABS**  
202150000045

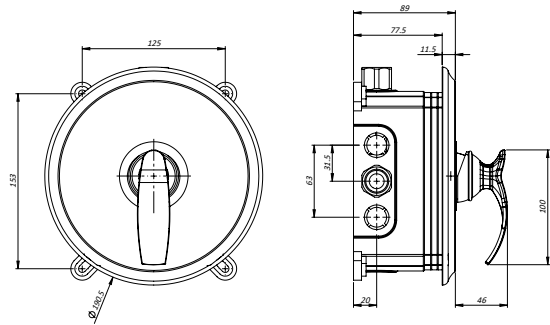
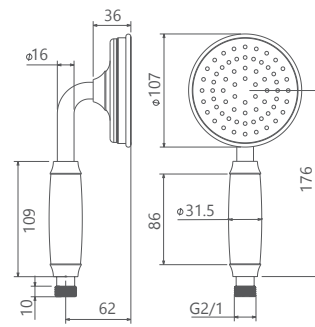
**Bathroom - Type 1 - ceiling - ABS**  
202150000044



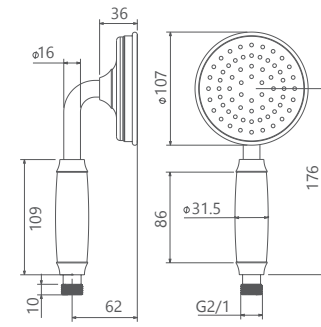
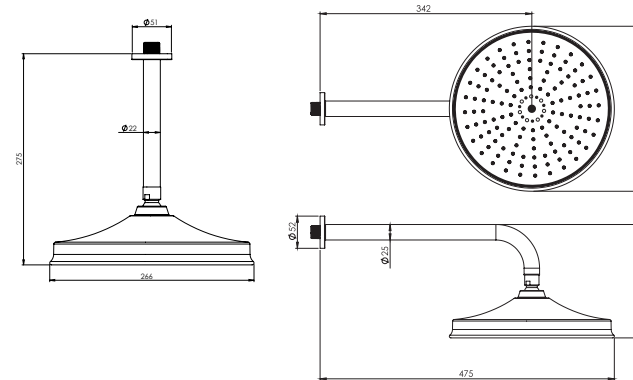
Chrome Gold Matte Gold



● ABS



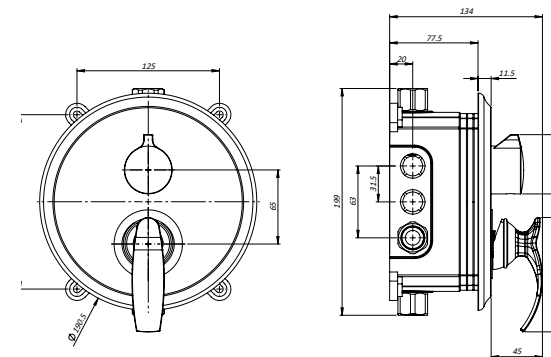
Bathroom - Type 2  
20215000046



● ABS



● ABS



Bathroom - Type 3 - wall - ABS  
20215000048

Bathroom - Type 3 - ceiling - ABS  
20215000047



Chrome Gold Matte Gold

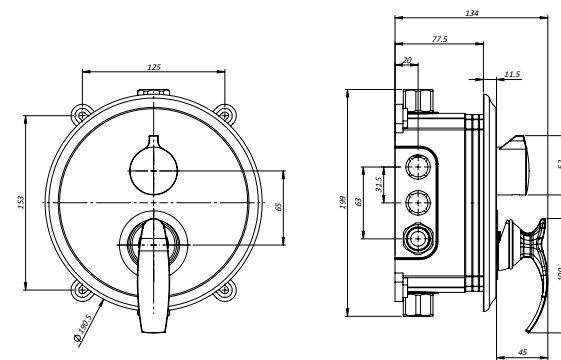
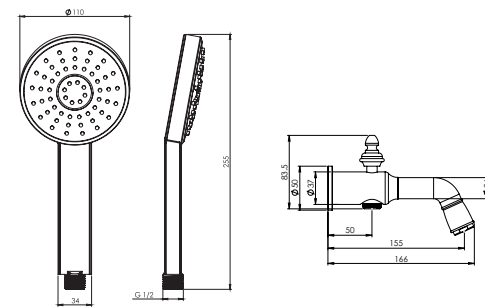
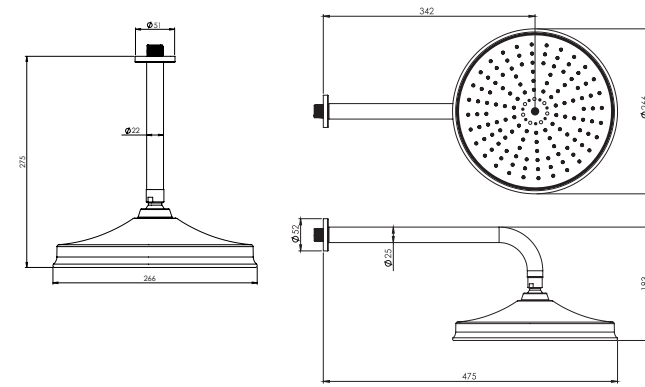




● ABS

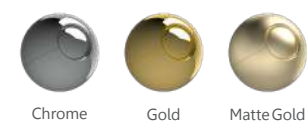


● ABS



Bathroom - Type 4 - wall - ABS  
20215000050

Bathroom - Type 4 - ceiling - ABS  
20215000049



Chrome Gold Matte Gold



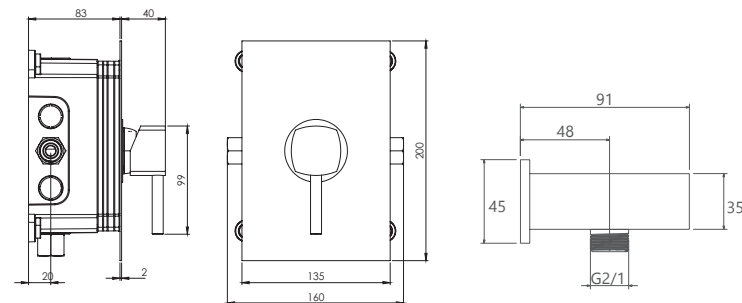
Concealed | Geloris Collection



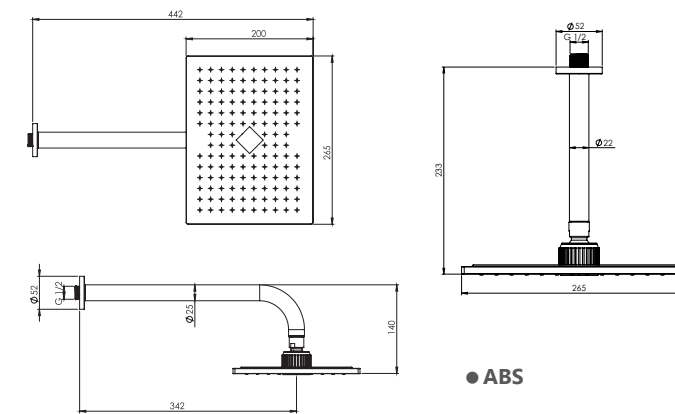
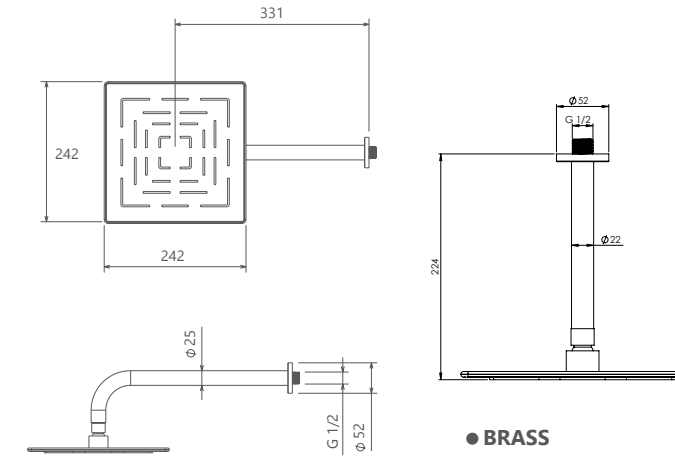
Because details matter

ouder  
008637

- High heat and pressure resistant ceramic cartridge
- Fast and easy installation
- Shower head silicon nozzles with less sedimentation
- Concealed showers, offered in two wall and/or ceiling mounted types
- Access to interior parts without damaging the wall
- Flexible for layout
- Less space occupancy
- Easily cleanable
- Ergonomic structure
- Cartridge size: 35 mm
- %100 QC



**Toilet**  
202180391505



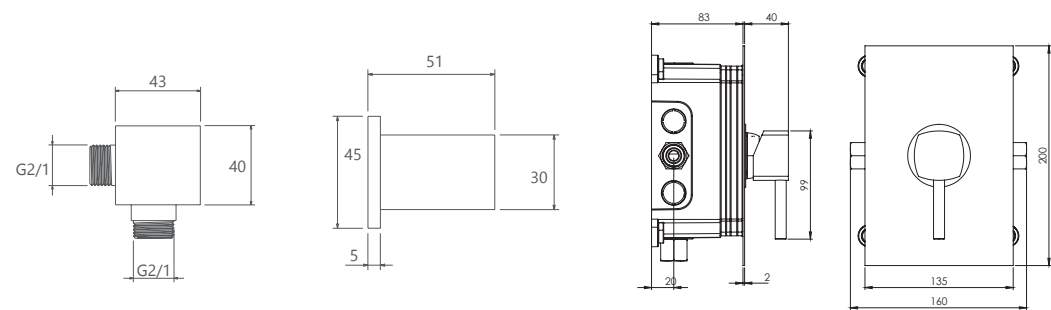
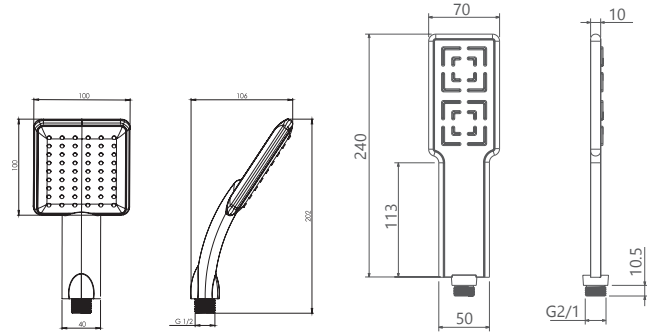
**Bathroom - Type 1 - wall - Brass**  
202150390305

**Bathroom - Type 1 - ceiling - Brass**  
202150390105

**Bathroom - Type 1 - wall - ABS**  
202150390405

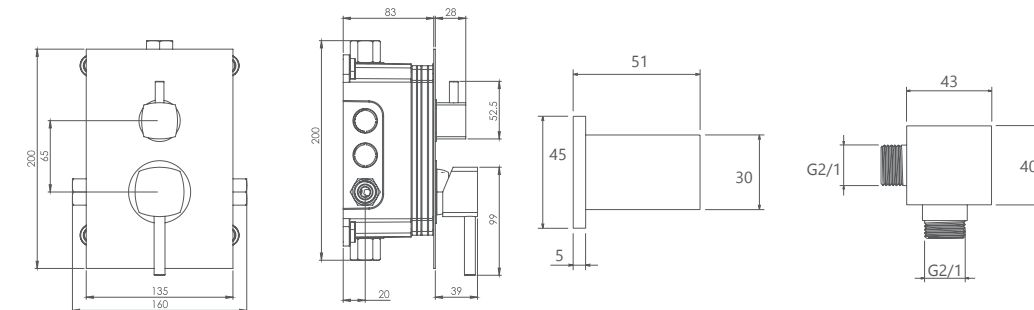
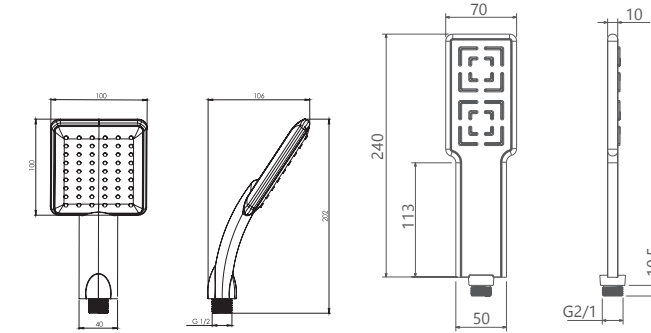
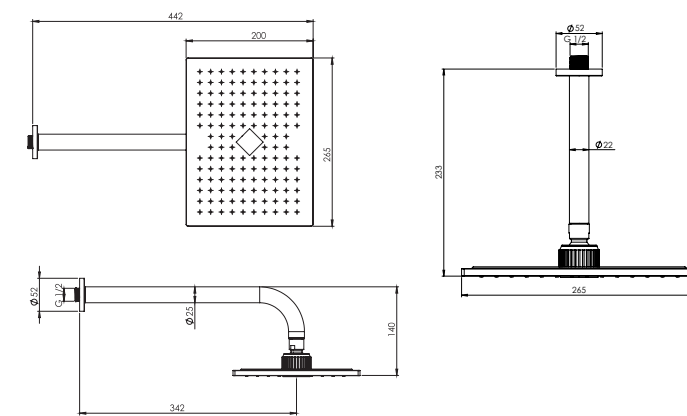
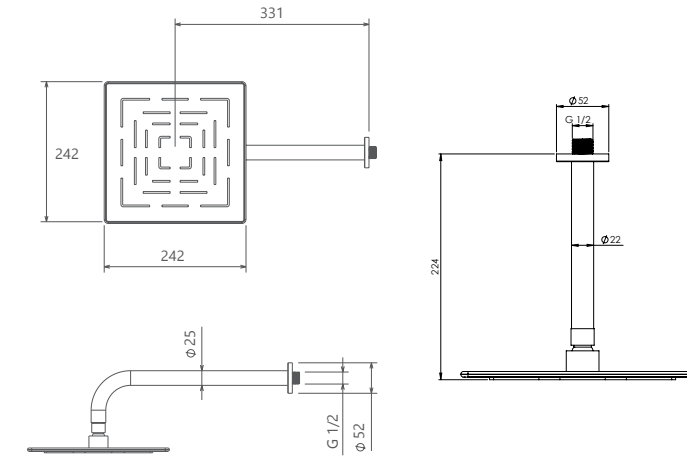
**Bathroom - Type 1 - ceiling - ABS**  
202150390205





Bathroom - Type 2  
202150390505

Bathroom - Type 2 - ABS  
202150390605



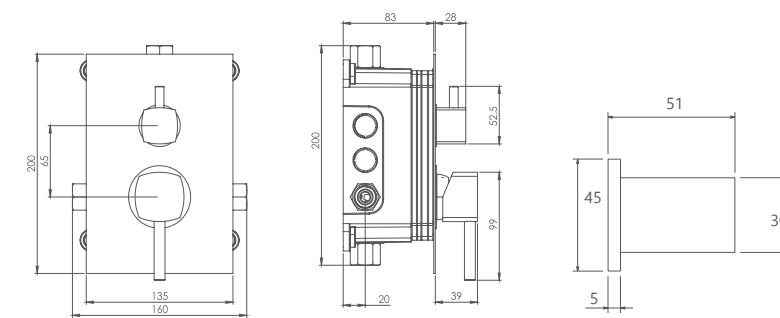
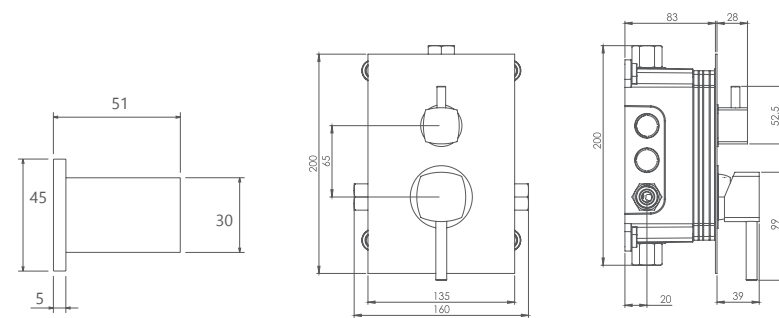
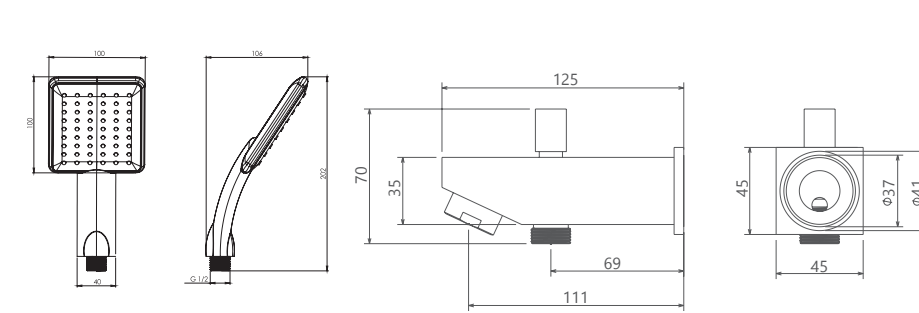
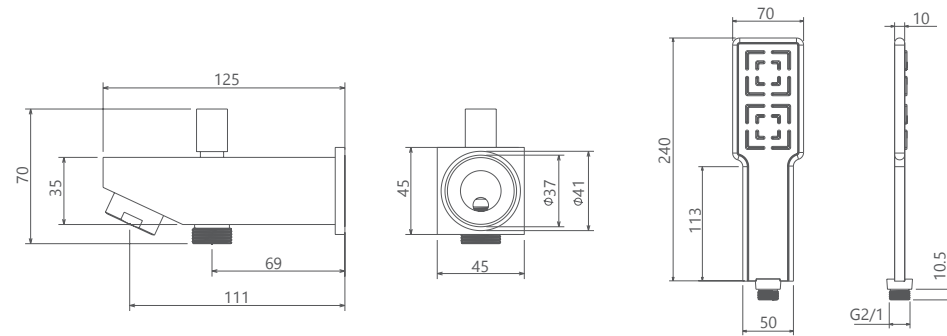
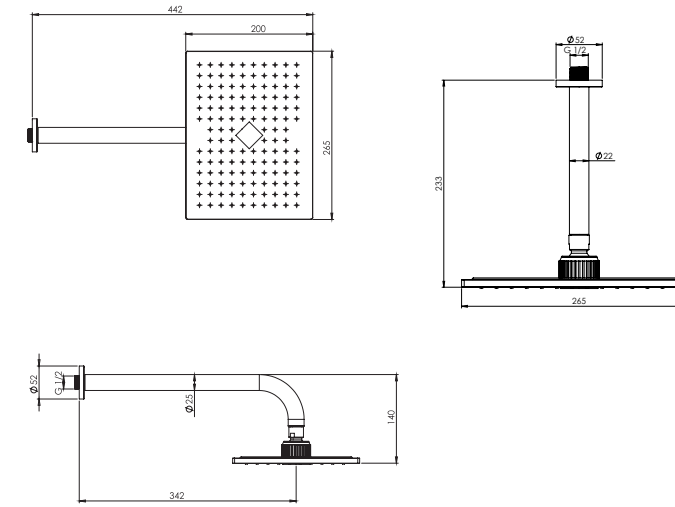
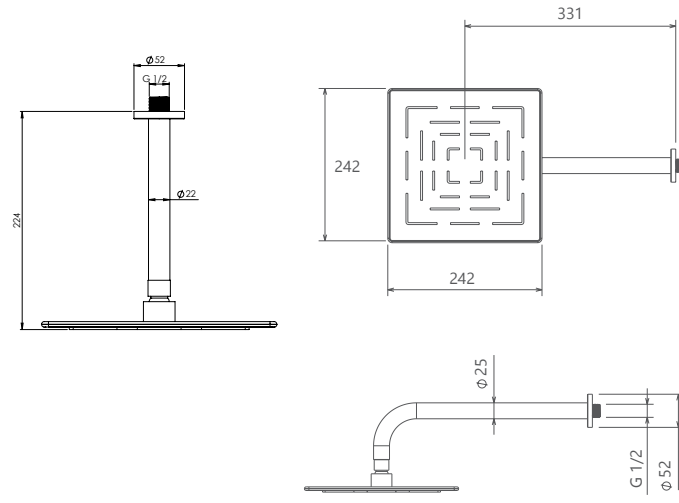
Bathroom - Type 3 - wall - Brass  
202150390905

Bathroom - Type 3 - ceiling - Brass  
202150390705

Bathroom - Type 3 - wall - ABS  
202150391005

Bathroom - Type 3 - ceiling - ABS  
202150390805





**Bathroom - Type 4 - wall**  
202150391305

**Bathroom - Type 4 - ceiling**  
202150391105

**Bathroom - Type 4 - wall - ABS**  
202150391405

**Bathroom - Type 4 - ceiling - ABS**  
202150391205

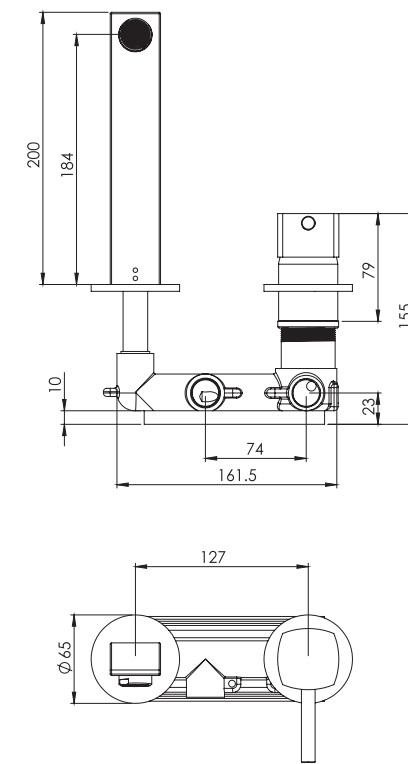
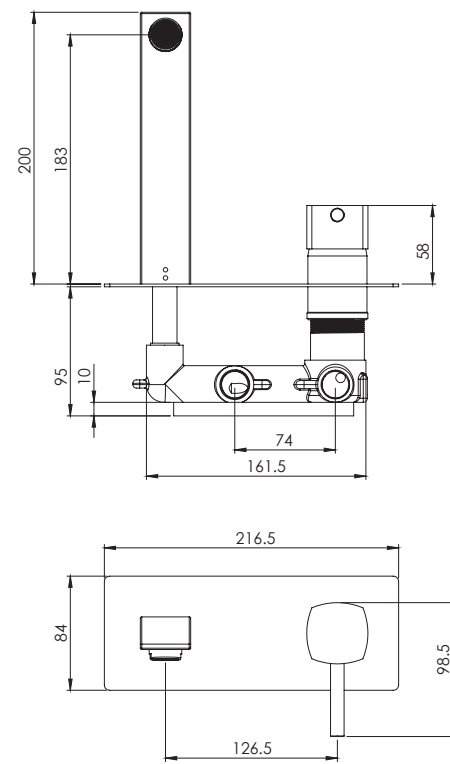


Chrome Gold Matte Gold Matte Chrome Gold/Ivory Chrome/Ivory Black/Gold Black/Chrome

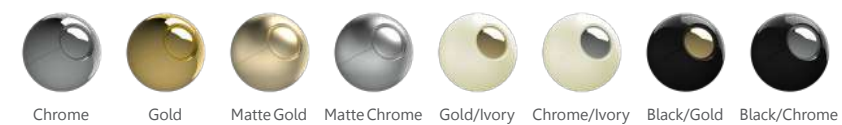
- High heat and pressure resistant ceramic cartridge
- Fast and easy installation
- Easily cleanable
- Flexible for layout
- Less space occupancy
- Ergonomic structure
- Cartridge size: 35 mm
- %100 QC



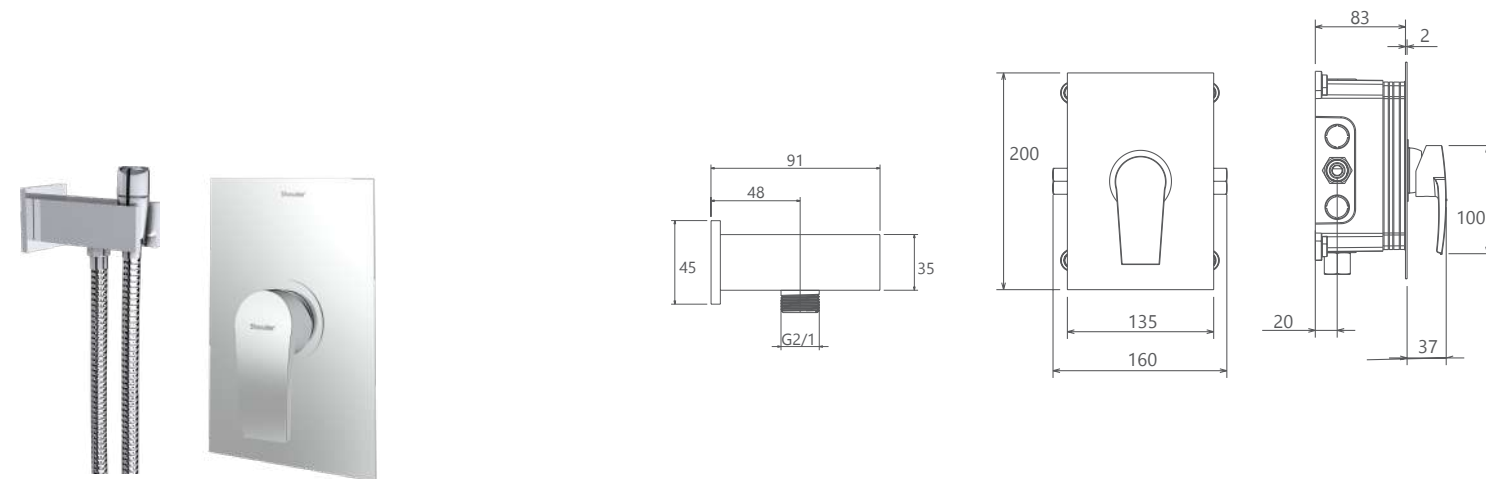
202180391505



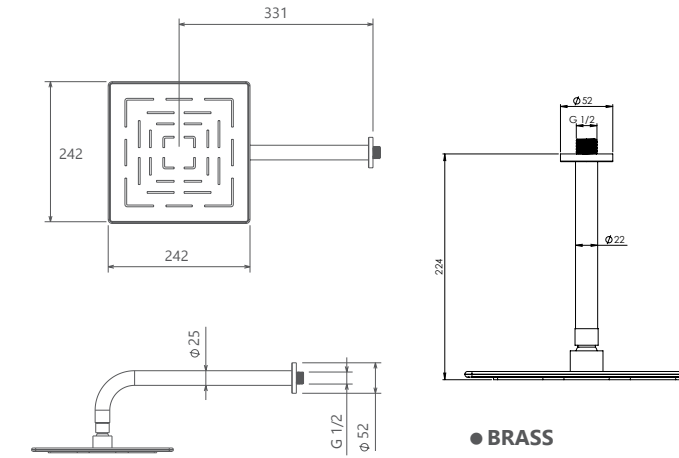
202180391605



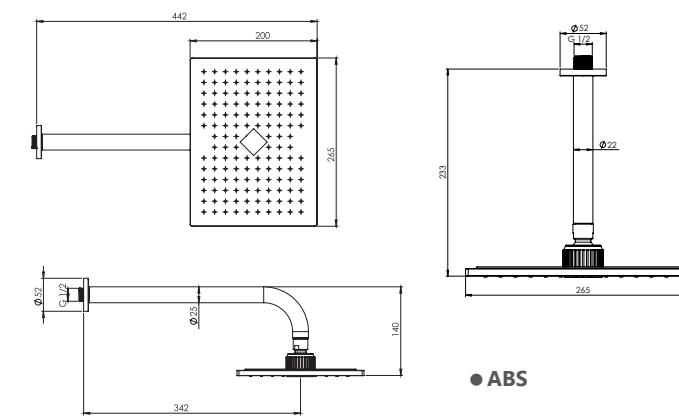
- High heat and pressure resistant ceramic cartridge
- Flexible for layout
- Fast and easy installation
- Less space occupancy
- Shower head silicon nozzles with less sedimentation
- Easily cleanable
- Concealed showers, offered in two wall and/or ceiling mounted types
- Ergonomic structure
- Access to interior parts without damaging the wall
- Cartridge size: 35 mm
- %100 QC



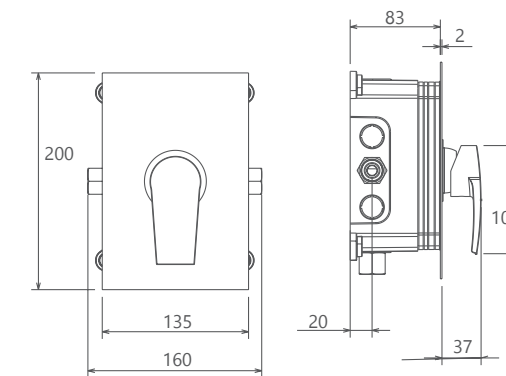
**Toilet**  
202160400005



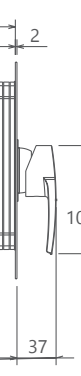
● BRASS



● ABS



**Bathroom - Type 1 - wall - Brass**  
202150400305



**Bathroom - Type 1 - ceiling - Brass**  
202150400105

**Bathroom - Type 1 - wall - ABS**  
202150400405

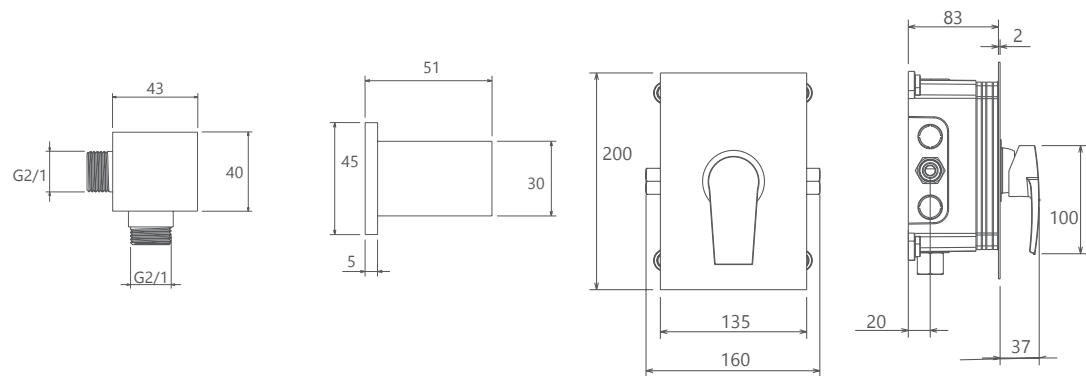
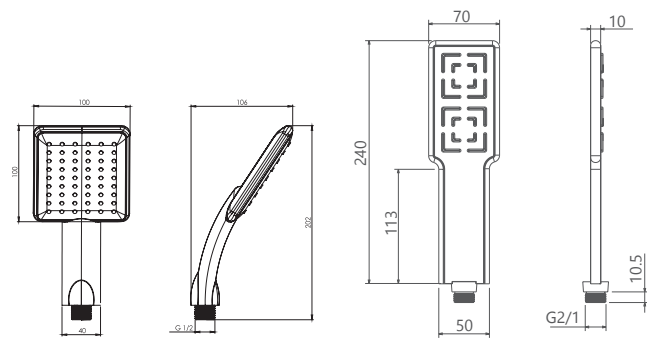
**Bathroom - Type 1 - ceiling - ABS**  
202150400205





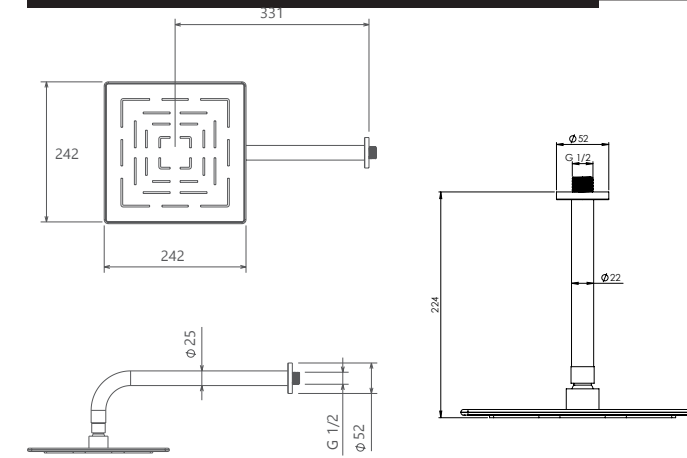
● BRASS

● ABS

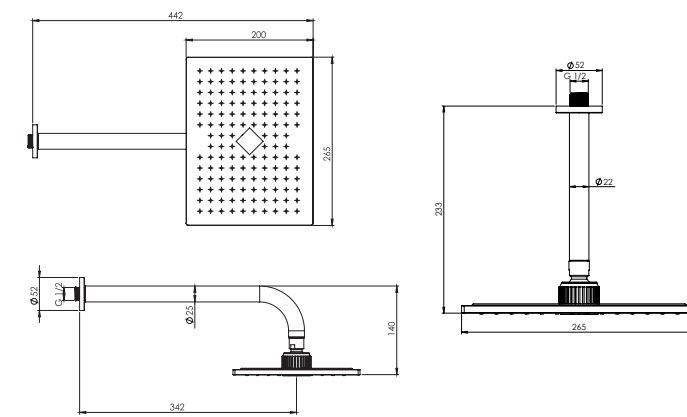


Bathroom - Type 2  
202150400505

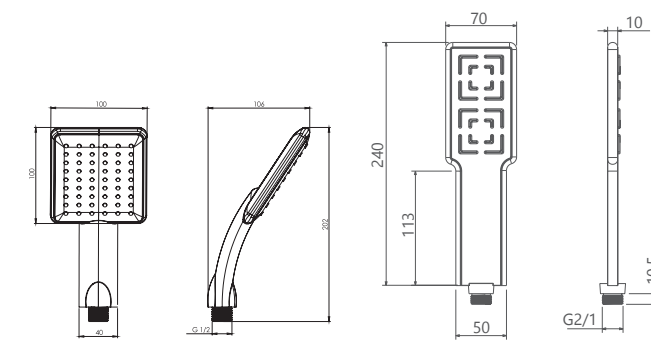
Bathroom - Type 2 - ABS  
202150400605



● BRASS

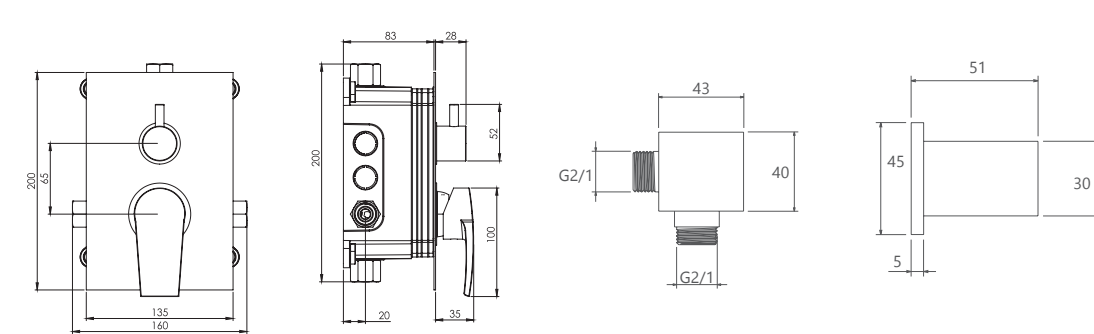


● ABS



● BRASS

● ABS



Bathroom - Type 3 - wall - Brass  
202150400905

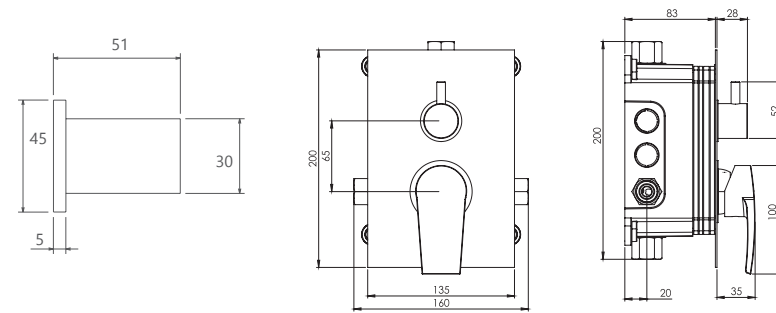
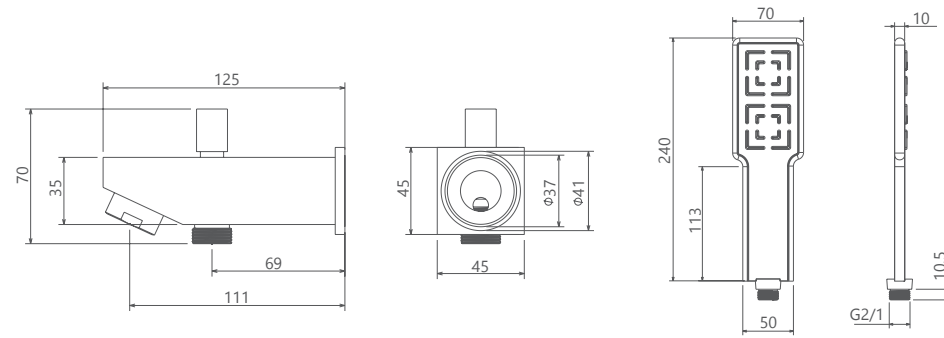
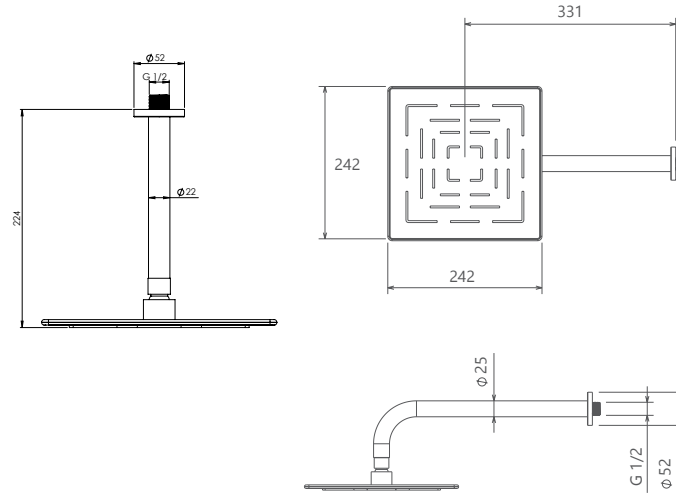
Bathroom - Type 3 - ceiling - Brass  
202150400705

Bathroom - Type 3 - wall - ABS  
202150401005

Bathroom - Type 3 - ceiling - ABS  
202150400805

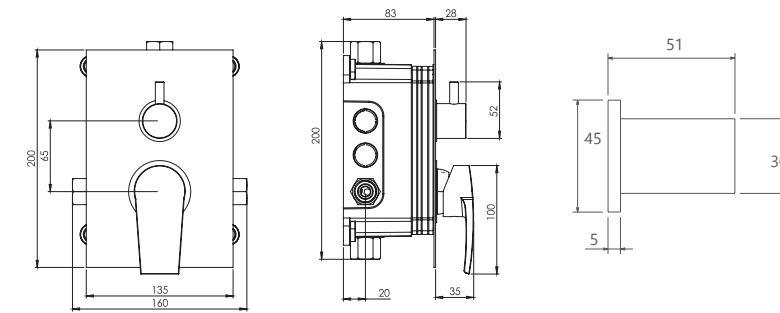
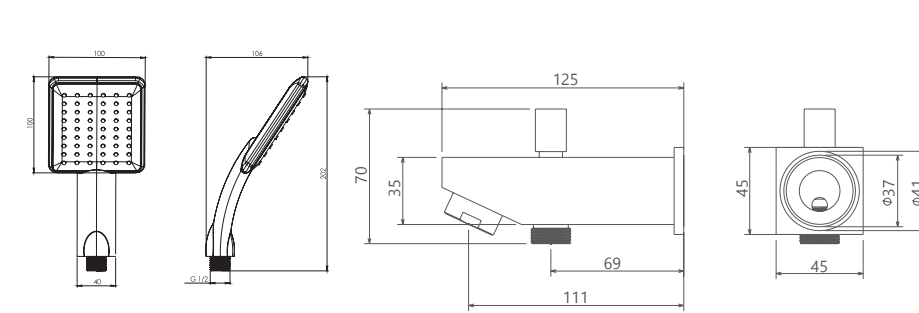
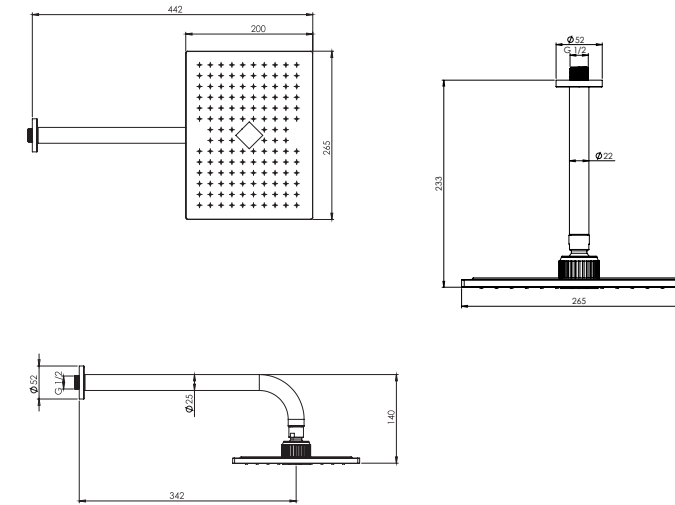






Bathroom - Type 4 - ceiling  
202150401105

Bathroom - Type 4 - wall  
202150401305



Bathroom - Type 4 - ceiling - ABS  
202150401205

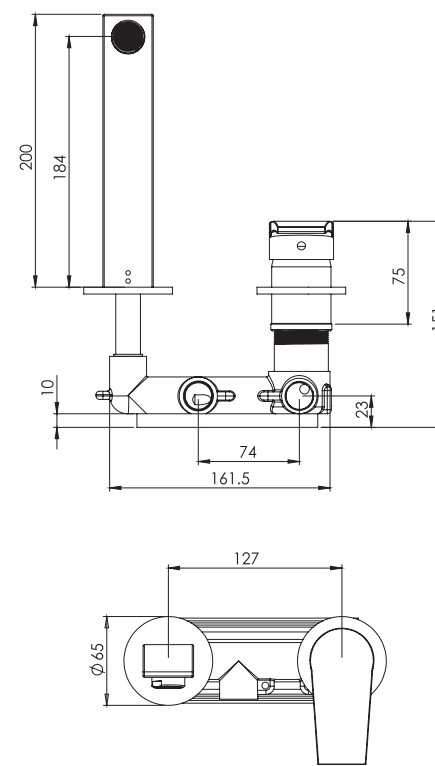
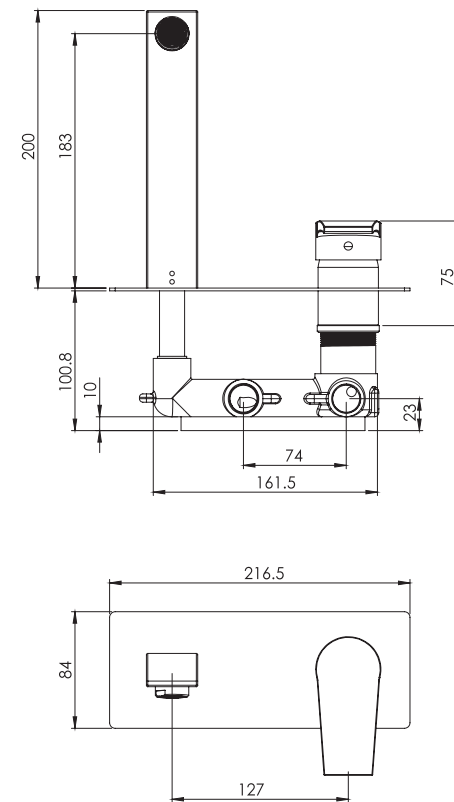
Bathroom - Type 4 - wall - ABS  
202150401405



- High heat and pressure resistant ceramic cartridge
- Fast and easy installation
- Easily cleanable
- Flexible for layout
- Less space occupancy
- Ergonomic structure
- Cartridge size: 35 mm
- %100 QC



202180401505



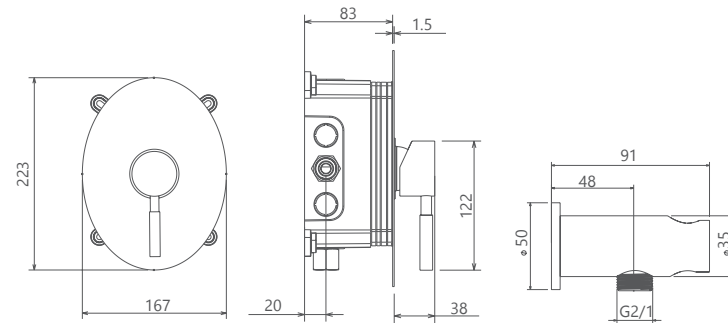
202180401605



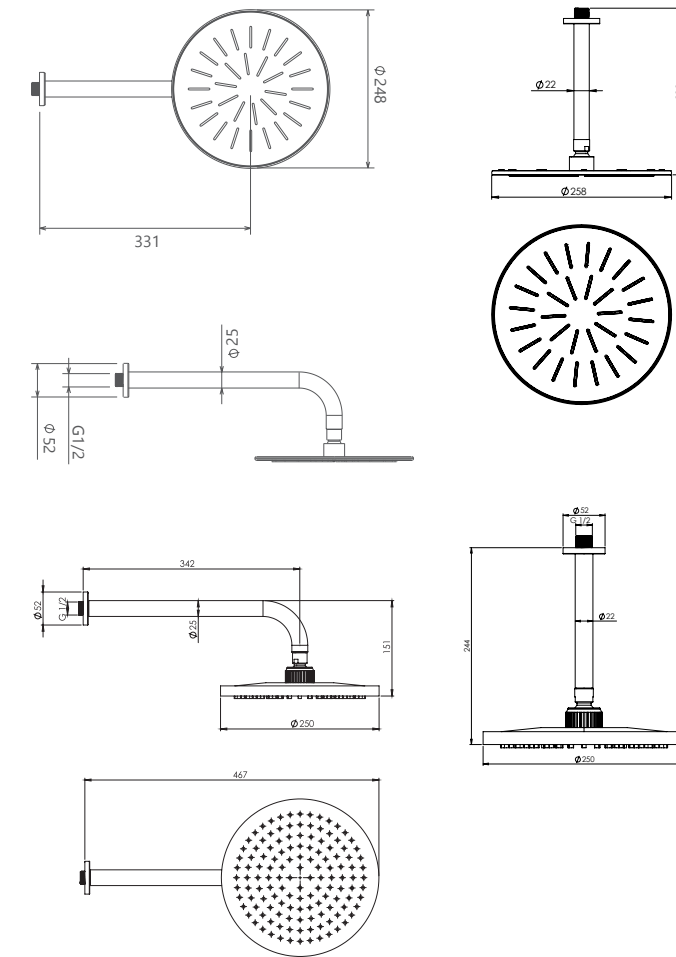
# Rogen Collection



- High heat and pressure resistant ceramic cartridge
- Fast and easy installation
- Shower head silicon nozzles with less sedimentation
- Concealed showers, offered in two wall and/or ceiling mounted types
- Access to interior parts without damaging the wall
- Flexible for layout
- Less space occupancy
- Easily cleanable
- Ergonomic structure
- Cartridge size: 35 mm
- %100 QC



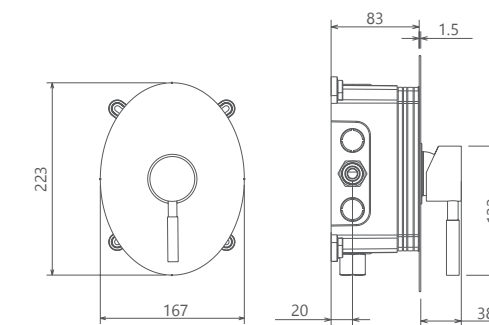
Toilet  
202160380005



● BRASS



● ABS



Bathroom - Type 1 - wall - Brass  
202150380305

Bathroom - Type 1 - ceiling - Brass  
202150380105

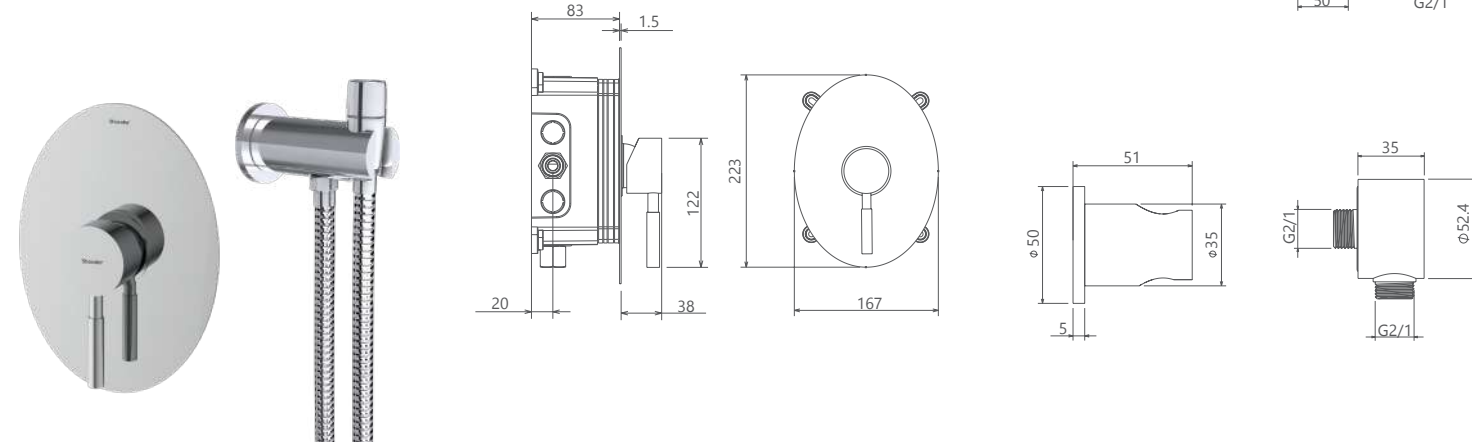
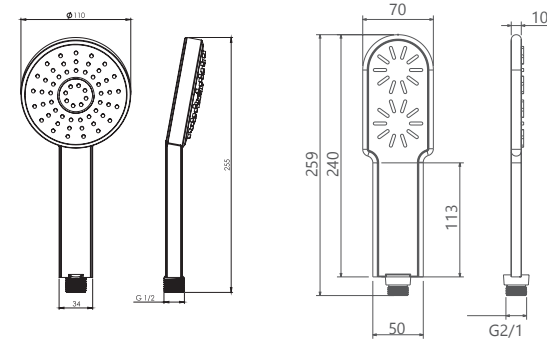
Bathroom - Type 1 - wall - ABS  
202150380405

Bathroom - Type 1 - ceiling - ABS  
202150380205



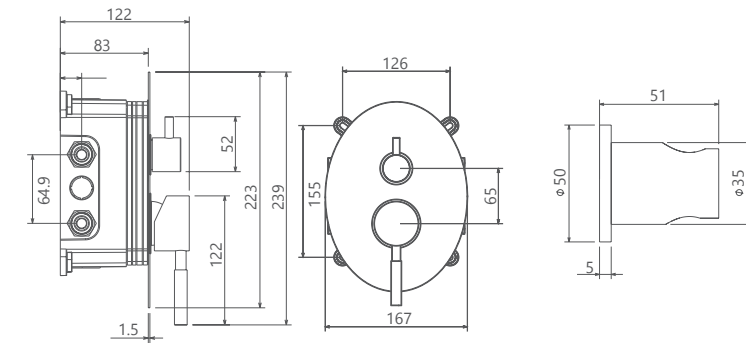
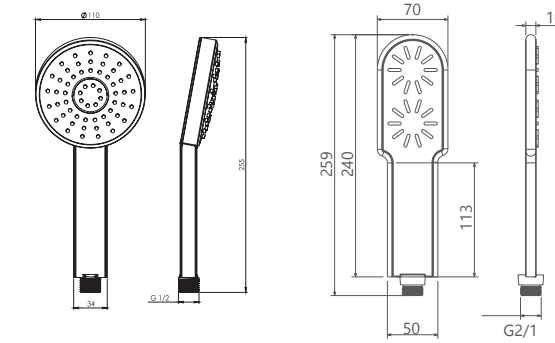
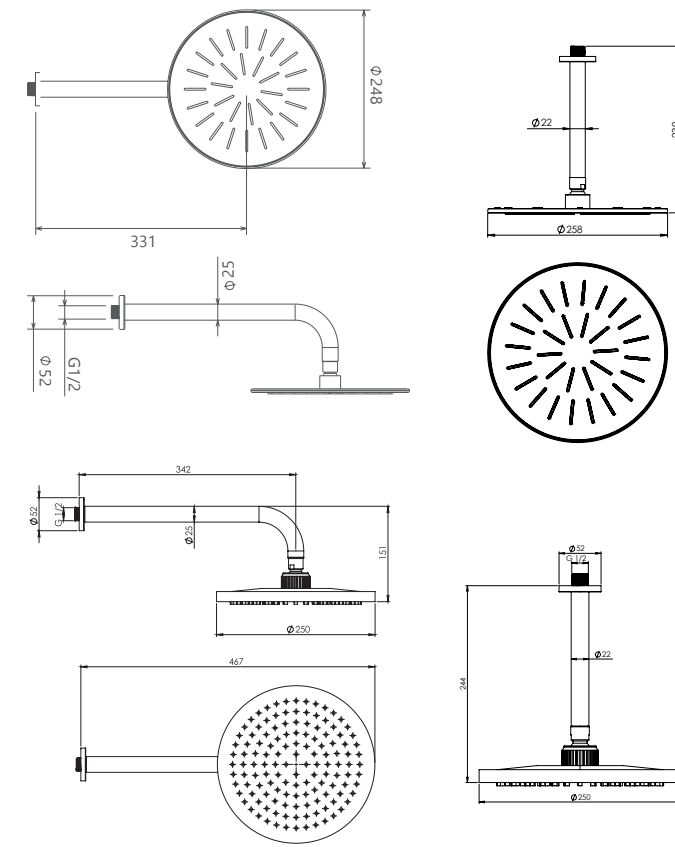


● BRASS ● ABS



Bathroom - Type 2  
202150380505

Bathroom - Type 2 - ABS  
202150380605



Bathroom - Type 3 - wall - Brass  
202150380905

Bathroom - Type 3 - ceiling - Brass  
202150380705

Bathroom - Type 3 - wall - ABS  
202150381005

Bathroom - Type 3 - ceiling - ABS  
202150380805



● BRASS



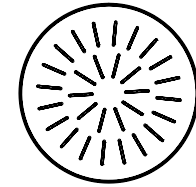
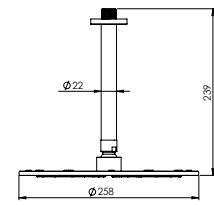
● ABS



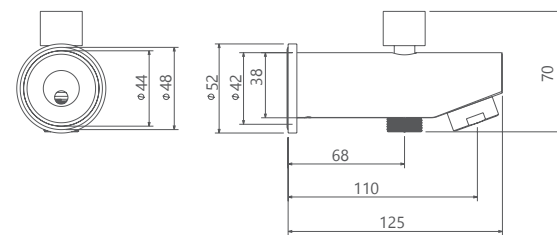
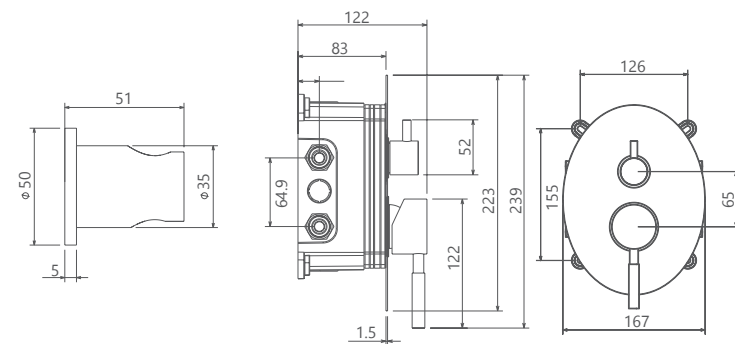
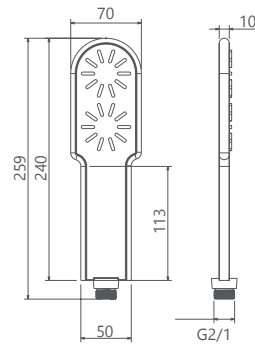
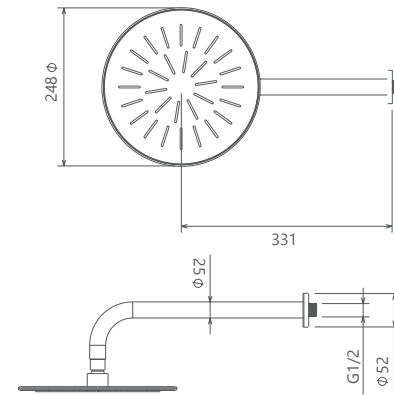
● BRASS ● ABS



Chrome Gold Matte Gold Matte Chrome Gold/Ivory Chrome/Ivory Black/Gold Black/Chrome

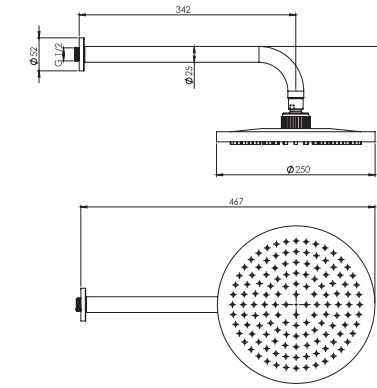


● BRASS

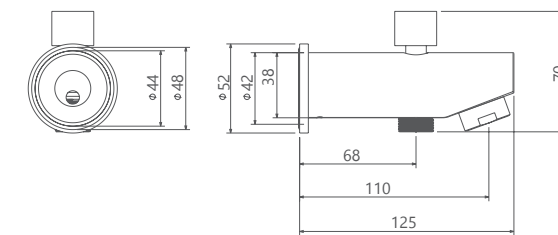
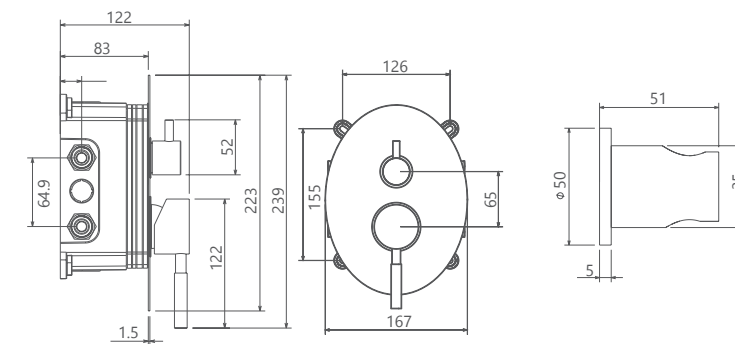
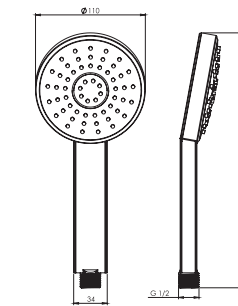
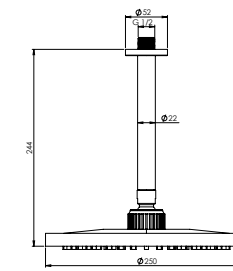


Bathroom - Type 4 - ceiling  
202150381105

Bathroom - Type 4 - wall  
202150381305



● ABS

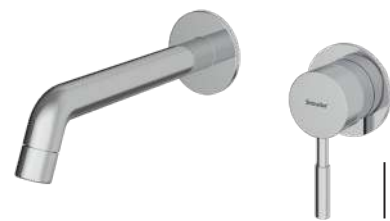


Bathroom - Type 4 - ceiling - ABS  
202150381205

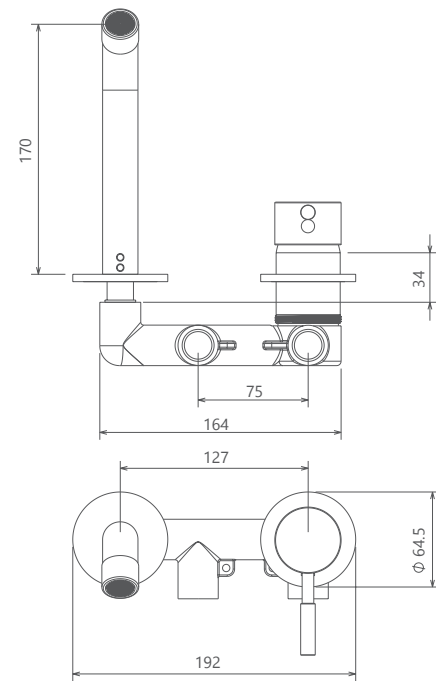
Bathroom - Type 4 - wall - ABS  
202150381405



- High heat and pressure resistant ceramic cartridge
- Fast and easy installation
- Easily cleanable
- Flexible for layout
- Less space occupancy
- Ergonomic structure
- Cartridge size: 35 mm
- %100 QC



202180381605

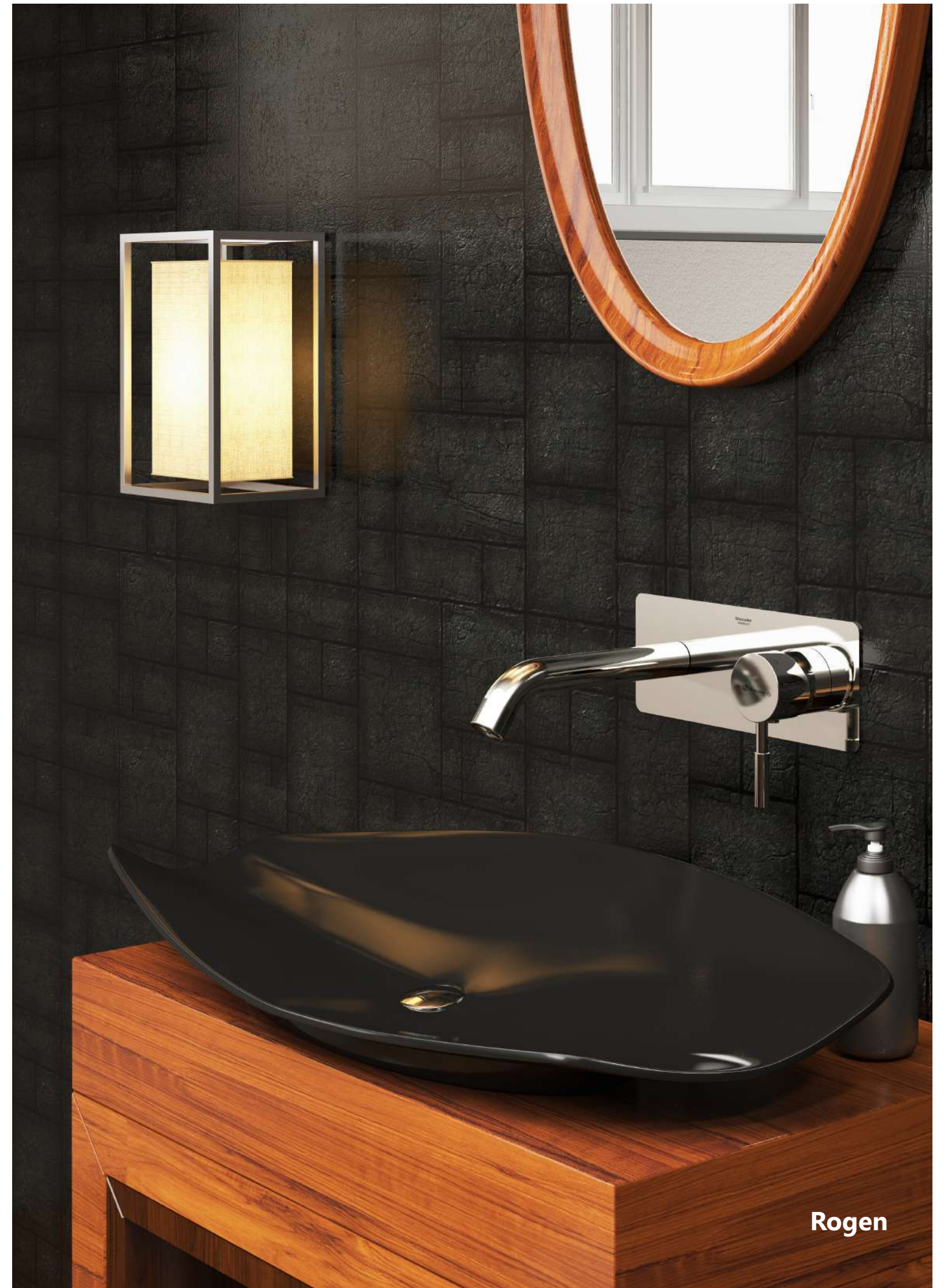
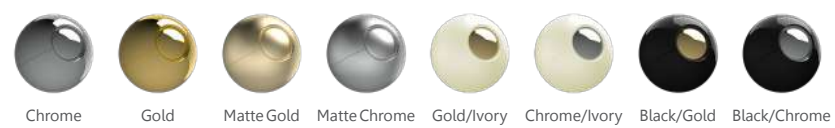
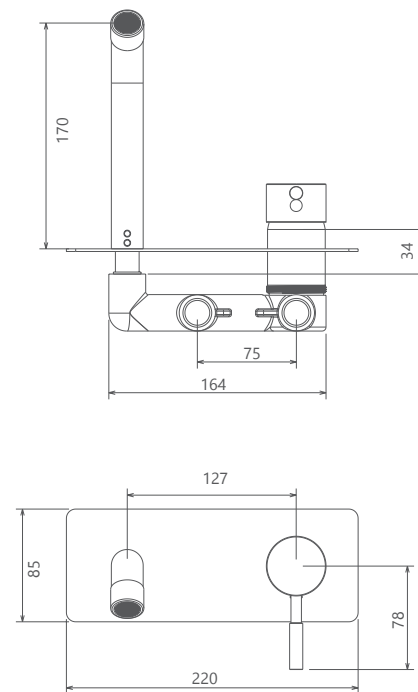


Rogen

- High heat and pressure resistant ceramic cartridge
- Fast and easy installation
- Easily cleanable
- Flexible for layout
- Less space occupancy
- Ergonomic structure
- Cartridge size: 35 mm
- %100 QC



202180381518



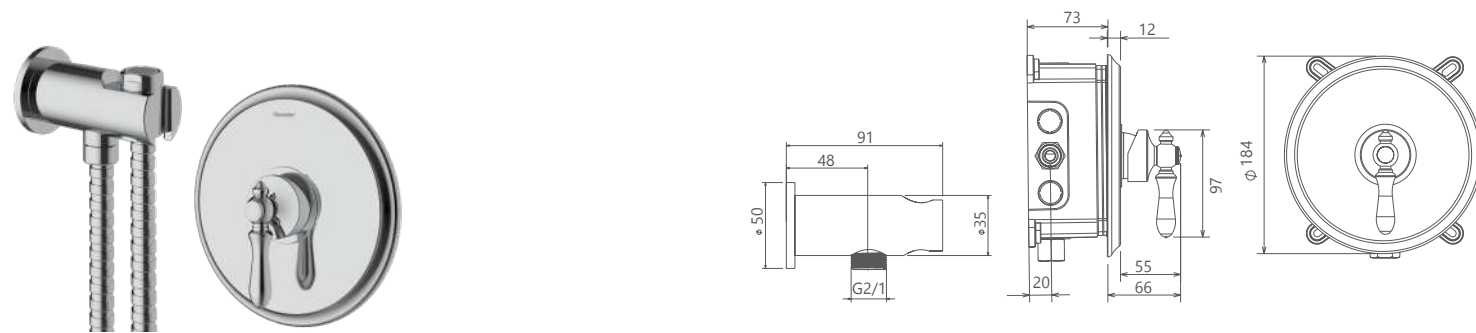
Rogen



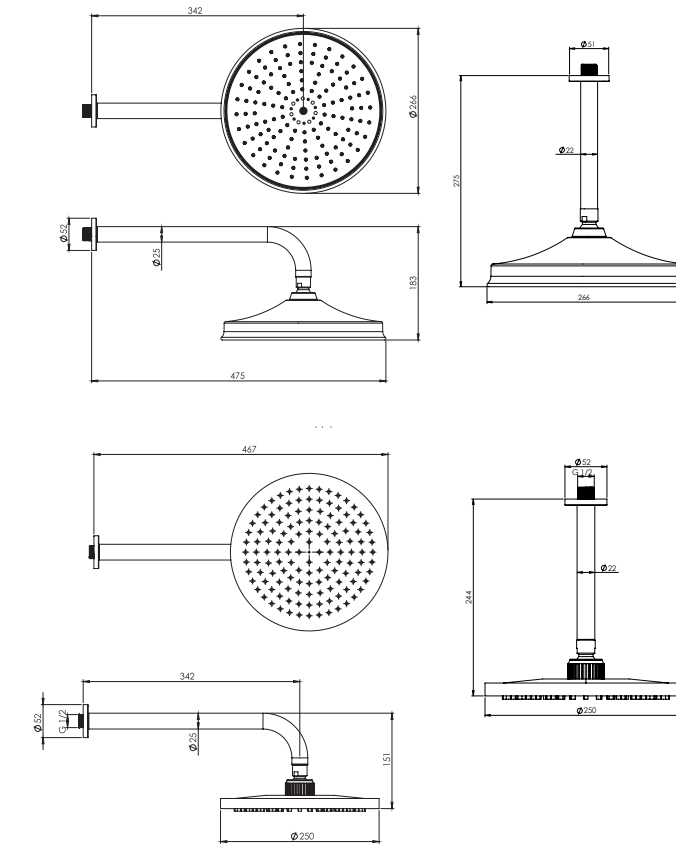
# Zigmond Collection



- High heat and pressure resistant ceramic cartridge
- Fast and easy installation
- Shower head silicon nozzles with less sedimentation
- Concealed showers, offered in two wall and/or ceiling mounted types
- Access to interior parts without damaging the wall
- Flexible for layout
- Less space occupancy
- Easily cleanable
- Ergonomic structure
- Cartridge size: 35 mm
- %100 QC



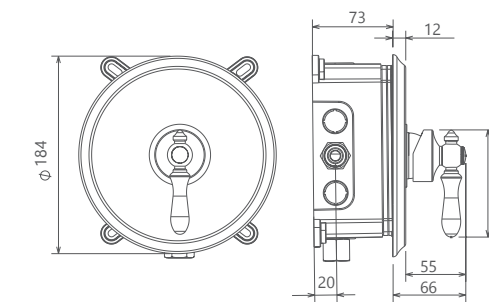
Toilet  
202160410019



● BRASS



● ABS



Bathroom - Type 1 - wall - Brass  
202150410319

Bathroom - Type 1 - ceiling - Brass  
202150410119

Bathroom - Type 1 - wall - ABS  
202150410419

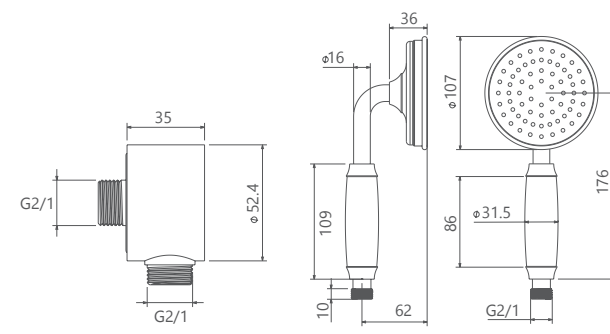
Bathroom - Type 1 - ceiling - ABS  
202150410219



Chrome Gold Matte Gold

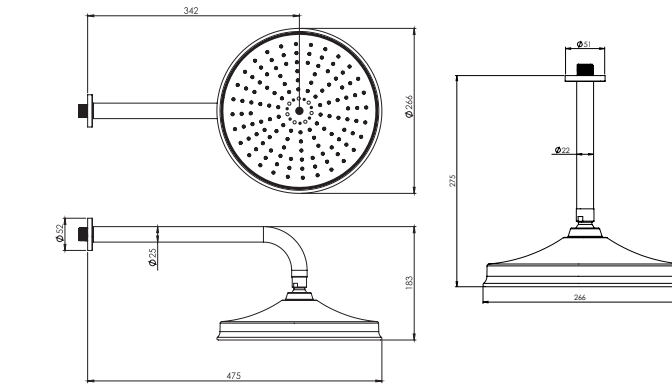
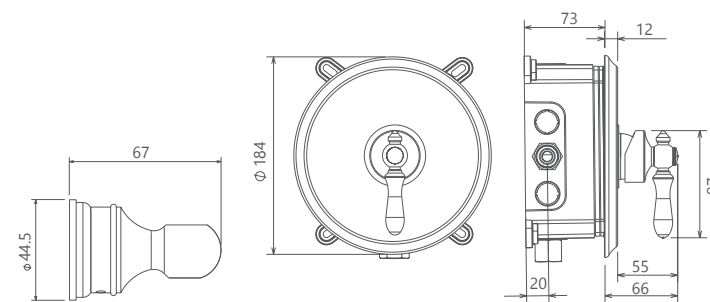


● BRASS ● ABS

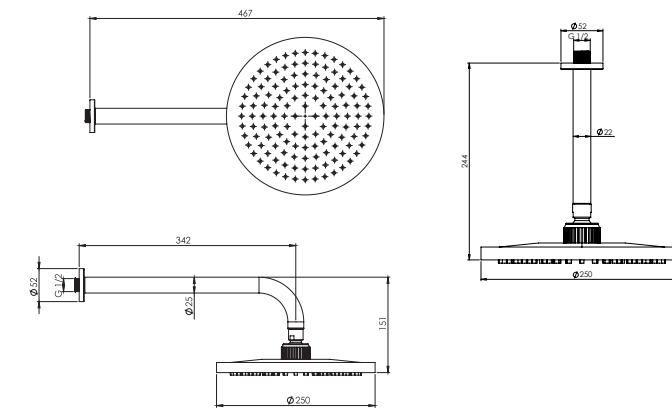


Bathroom - Type 2  
202150410519

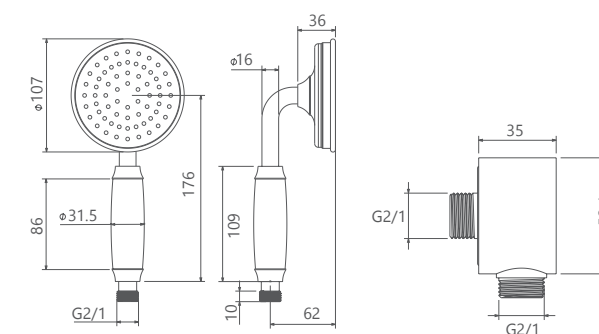
Bathroom - Type 2 - ABS  
202150410619



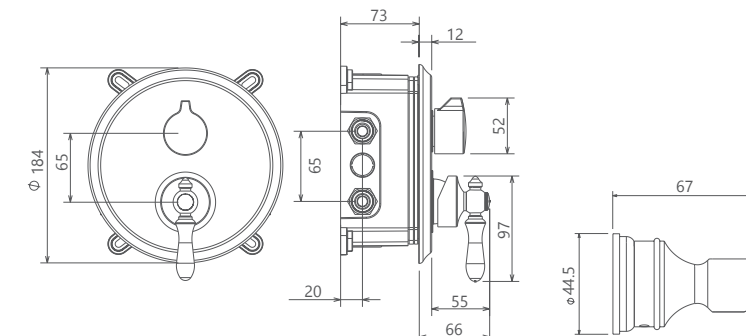
● BRASS



● ABS



● ABS ● BRASS



Bathroom - Type 3 - wall - Brass  
202150410919

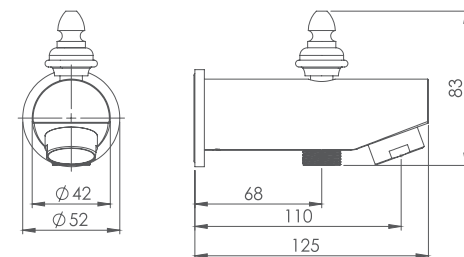
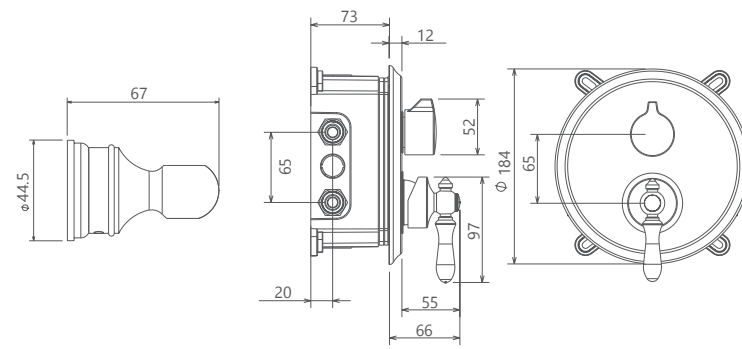
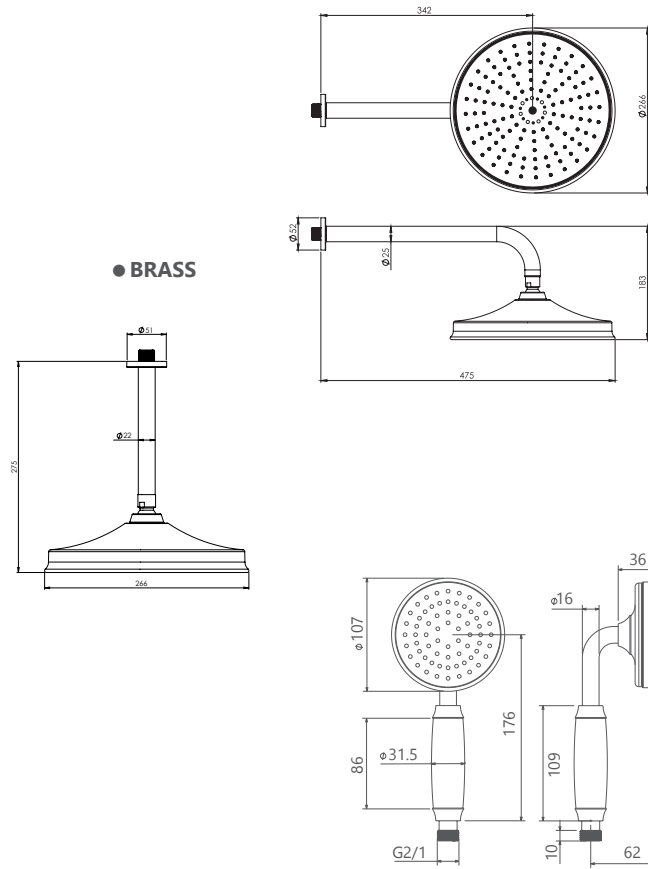
Bathroom - Type 3 - ceiling - Brass  
202150410719

Bathroom - Type 3 - wall - ABS  
202150411019

Bathroom - Type 3 - ceiling - ABS  
202150410819

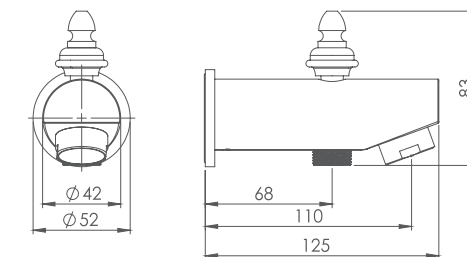
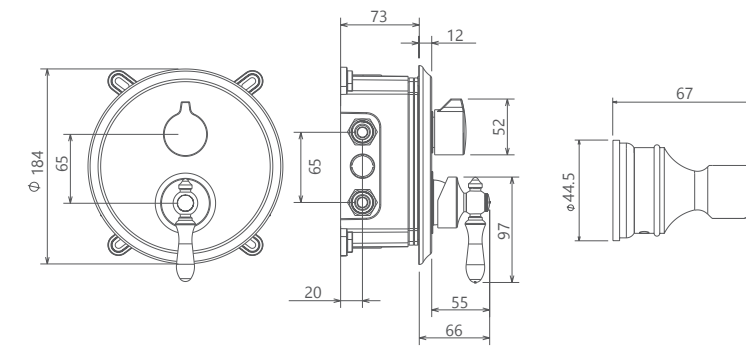
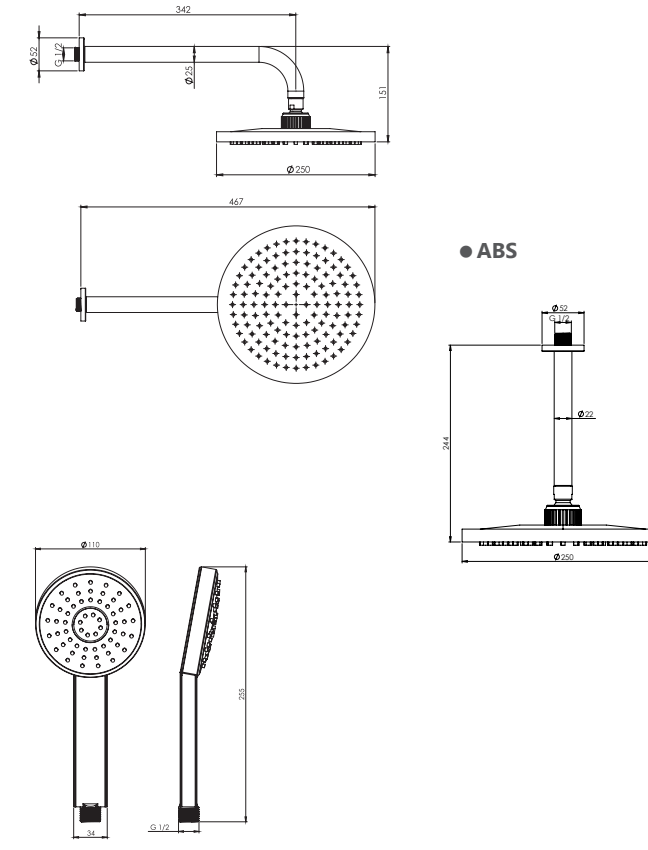


Chrome Gold Matte Gold



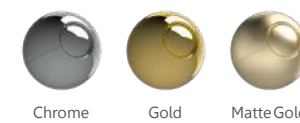
Bathroom - Type 4 - ceiling  
202150411119

Bathroom - Type 4 - wall  
202150411319



Bathroom - Type 4 - ceiling - ABS  
202150411219

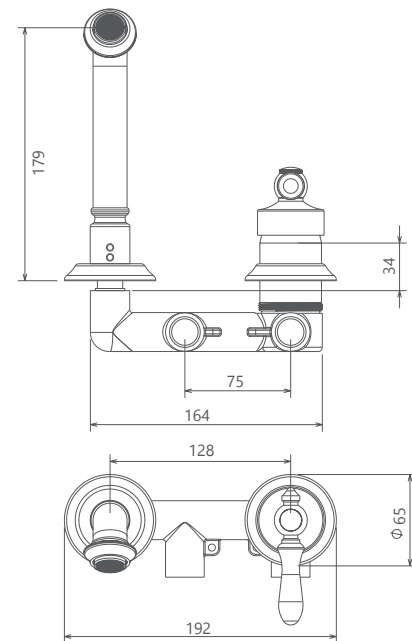
Bathroom - Type 4 - wall - ABS  
202150411419



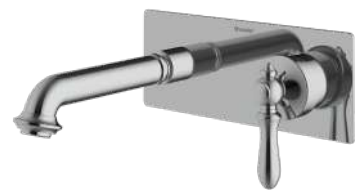
- High heat and pressure resistant ceramic cartridge
- Fast and easy installation
- Easily cleanable
- Flexible for layout
- Less space occupancy
- Ergonomic structure
- Cartridge size: 35 mm
- %100 QC



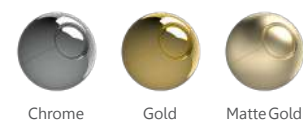
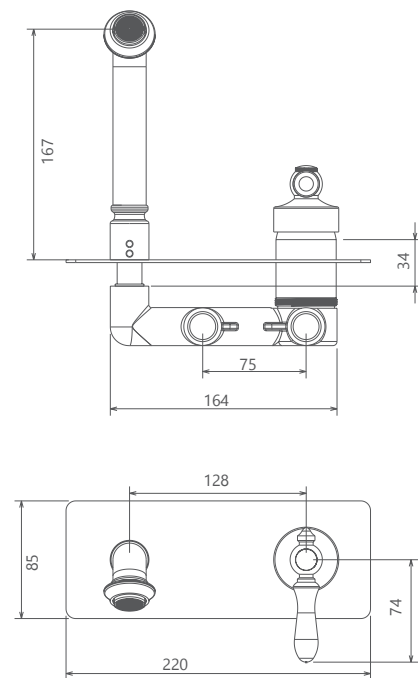
202180411619



- High heat and pressure resistant ceramic cartridge
- Fast and easy installation
- Easily cleanable
- Flexible for layout
- Less space occupancy
- Ergonomic structure
- Cartridge size: 35 mm
- %100 QC



202180411505



Zigmond

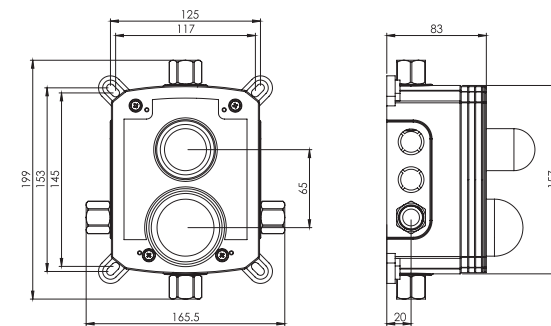
- High heat and pressure resistant ceramic cartridge
- Fast and easy installation
- Body quality: Brass
- Access to interior parts without damaging the wall
- Less space occupancy
- Flexible for layout
- Cartridge size: 35 mm
- %100 QC



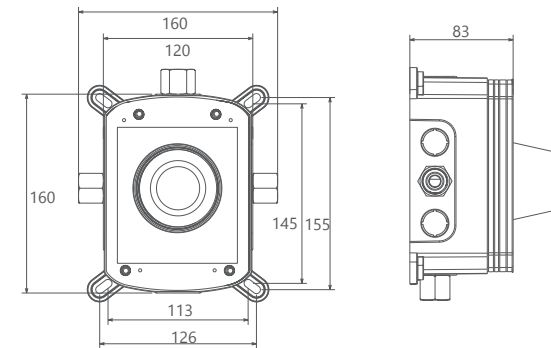
**Box A:** for types III & IV of all concealed bathrooms and toilets equipped with bidet  
**Box B:** for types I & II of concealed bathrooms and all types of toilet  
**Box C:** for concealed basin



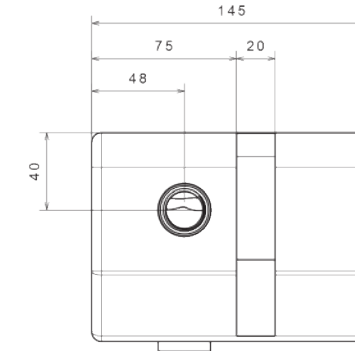
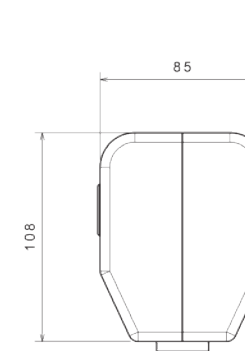
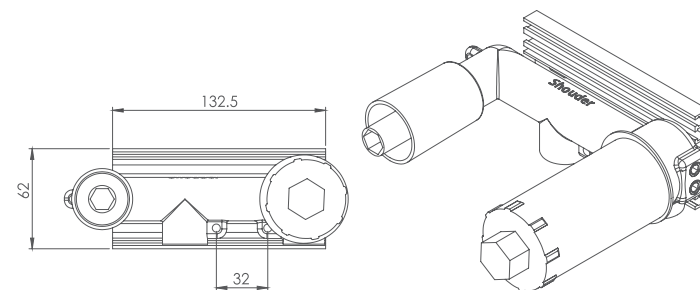
**Box A**  
202260580000



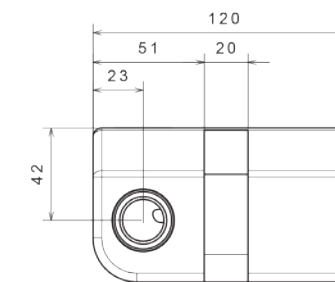
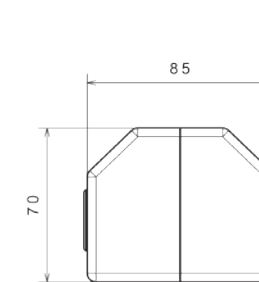
**Box B**  
202260590000



**Box C**  
202260600000



**Box E**  
202260000003



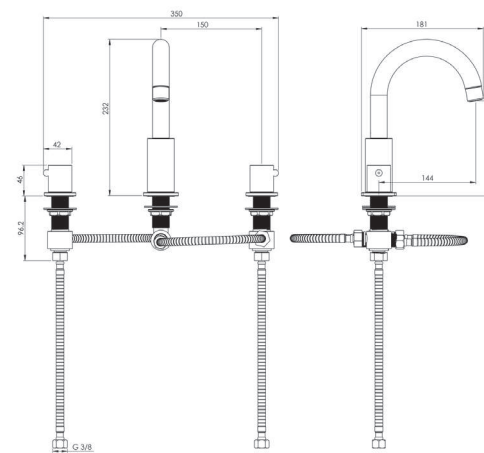
**Box D**  
202260000002



- Ceramic core resistant to high temperature and pressure
- Water saving perlator
- Less surface sedimentation due to special body design
- Electrostatic powder paint coating (THK > 100μ)
- Fast and easy installation
- Easily cleanable
- Ergonomic structure
- Cartridge size: 1/2 inch
- State-of-the-art physical vapor deposition (PVD) coating
- %100 QC

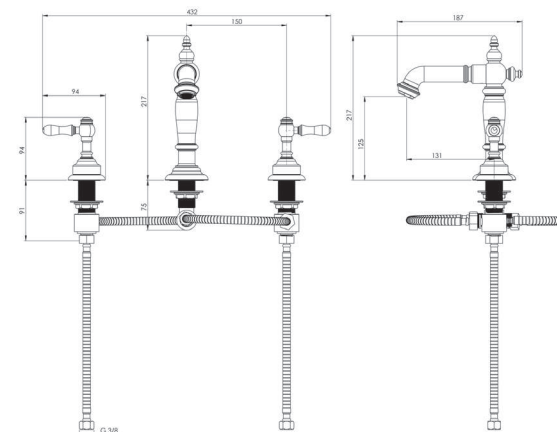


Marino  
201070170005



Chrome

- Ceramic core resistant to high temperature and pressure
- Water saving perlator
- Less surface sedimentation due to special body design
- Electrostatic powder paint coating (THK > 100μ)
- Fast and easy installation
- Easily cleanable
- Ergonomic structure
- Cartridge size: 1/2 inch
- State-of-the-art physical vapor deposition (PVD) coating
- %100 QC



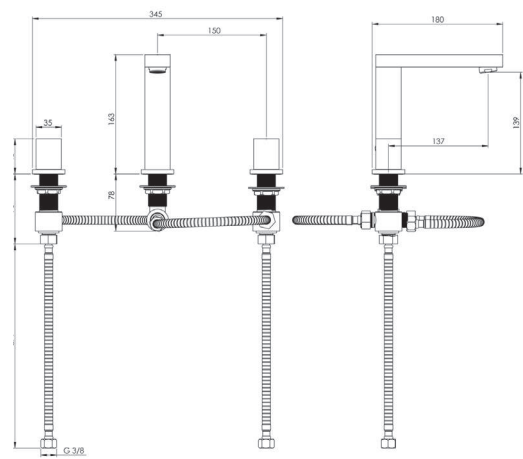
Bizans  
201070240005



Chrome



- Ceramic core resistant to high temperature and pressure
- Water saving perlator
- Fast and easy installation
- Easily cleanable
- Ergonomic structure
- Cartridge size: 1/2 inch
- %100 QC

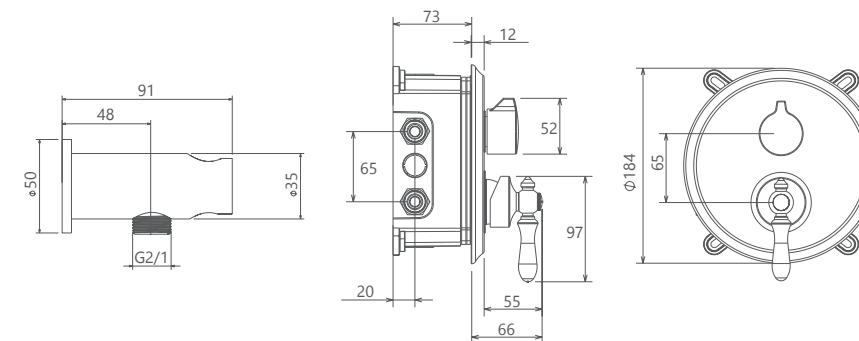


Europe  
201070190005



Chrome

- High heat and pressure resistant ceramic cartridge
- Fast and easy installation
- Body quality: Brass
- Access to interior parts without damaging the wall
- Easily cleanable
- Ergonomic structure
- Less space occupancy
- Flexible for layout
- %100 QC



Zigmond  
202190410019



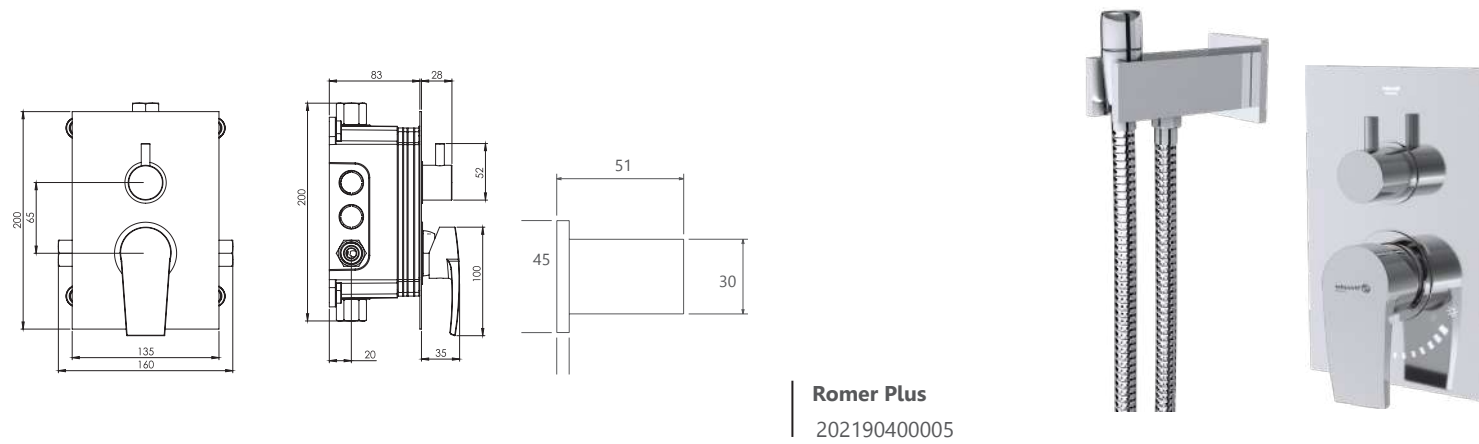
Chrome



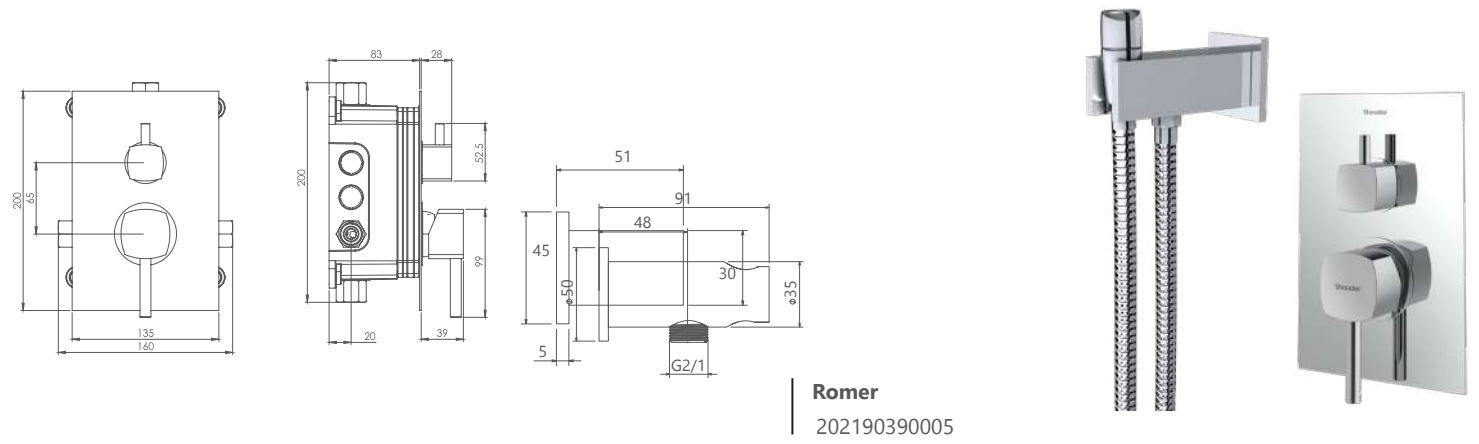
Gold



Matte Gold



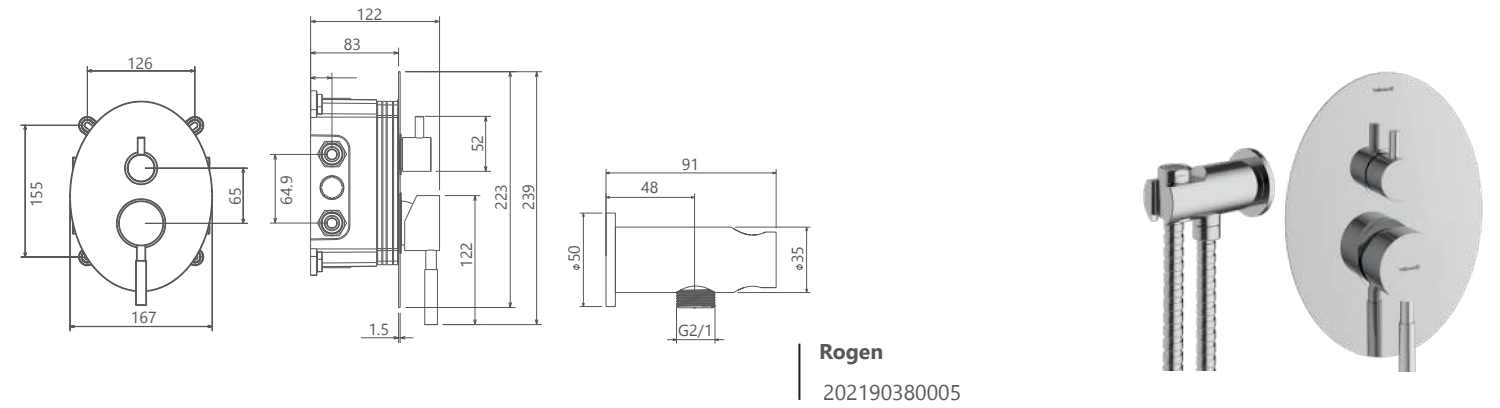
**Romer Plus**  
202190400005



**Romer**  
202190390005



- High heat and pressure resistant ceramic cartridge
- Ergonomic structure
- Fast and easy installation
- Less space occupancy
- Body quality: Brass
- Flexible for layout
- Access to interior parts without damaging the wall
- %100 QC
- Easily cleanable



**Rogen**  
202190380005





# Shower

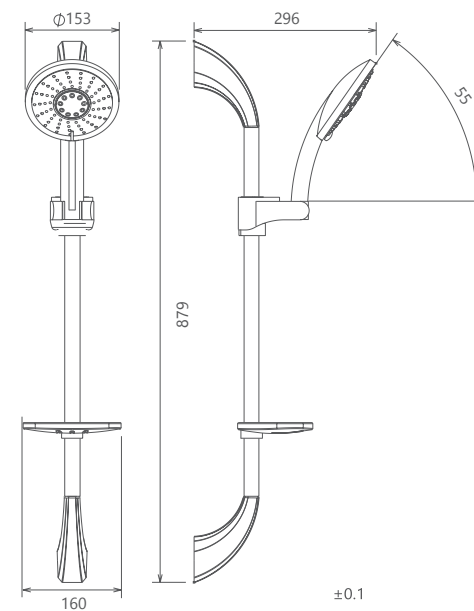
---

# Collection

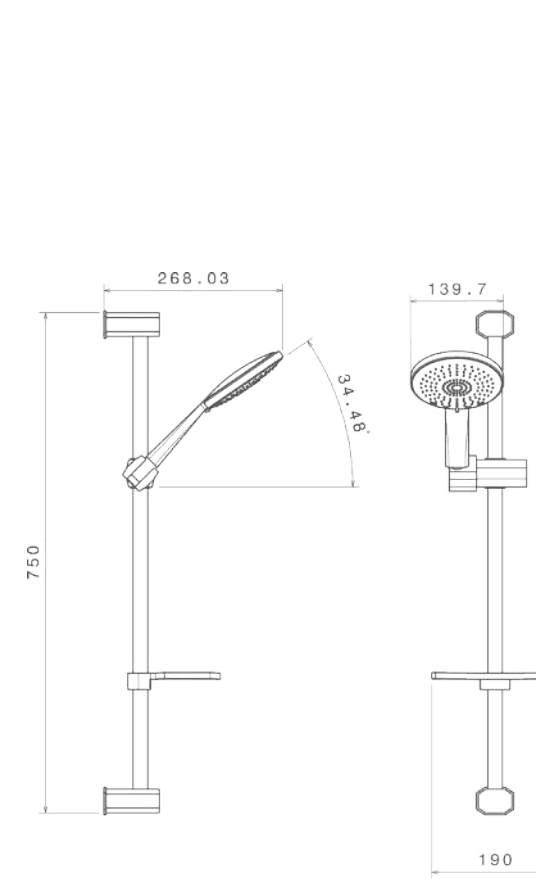
- Less surface sedimentation due to special body design
- State-of-the-art physical vapor deposition (PVD) coating
- Shower head silicon nozzles with less sedimentation
- Fast and easy installation
- Ergonomic structure
- %100 QC



201130330005



- Less surface sedimentation due to special body design
- State-of-the-art physical vapor deposition (PVD) coating
- Shower head silicon nozzles with less sedimentation
- Fast and easy installation
- Ergonomic structure
- %100 QC



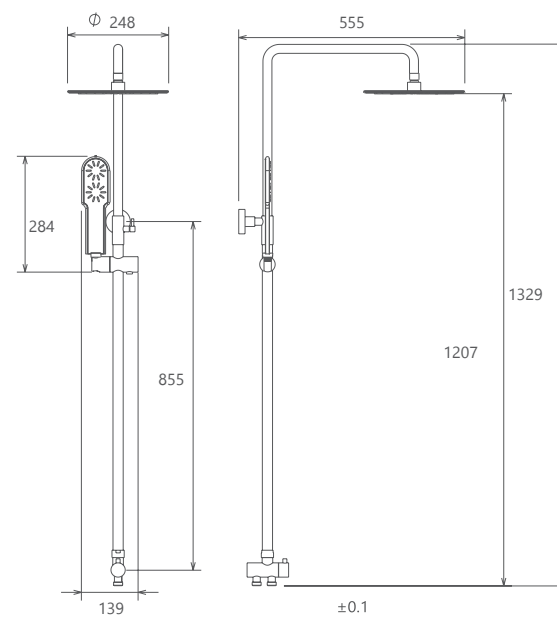
201130370005



- Less surface sedimentation due to special body design
- Ergonomic structure
- Dual-purpose- fixed and mobile shower head
- Height settable for fixed and mobile shower
- Shower head silicon nozzles with less sedimentation
- %100 QC
- Fast and easy installation



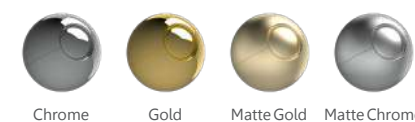
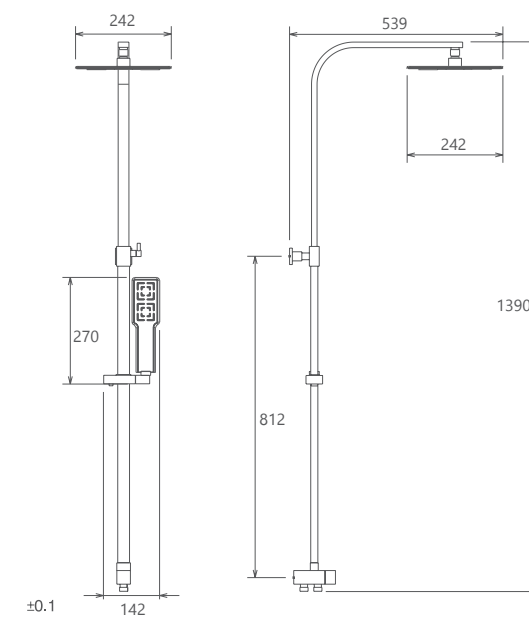
201130350005



- Dual-purpose-fixed and mobile shower head
- Fast and easy installation
- State-of-the-art physical vapor deposition (PVD) coating
- Ergonomic structure
- With antibacterial feature using advanced technology
- Height settable for fixed and mobile shower
- Shower head silicon nozzles with less sedimentation
- %100 QC



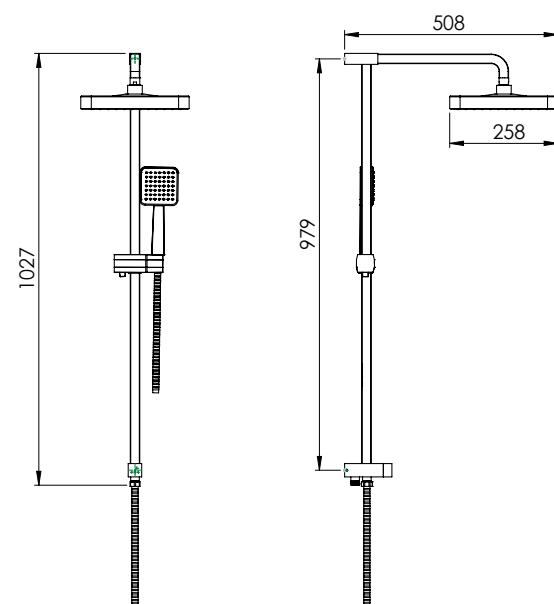
201130340018



- Less surface sedimentation due to special body design
- Ergonomic structure
- Dual-purpose- fixed and mobile shower head
- Height settable for fixed and mobile shower
- Shower head silicon nozzles with less sedimentation
- %100 QC
- Fast and easy installation



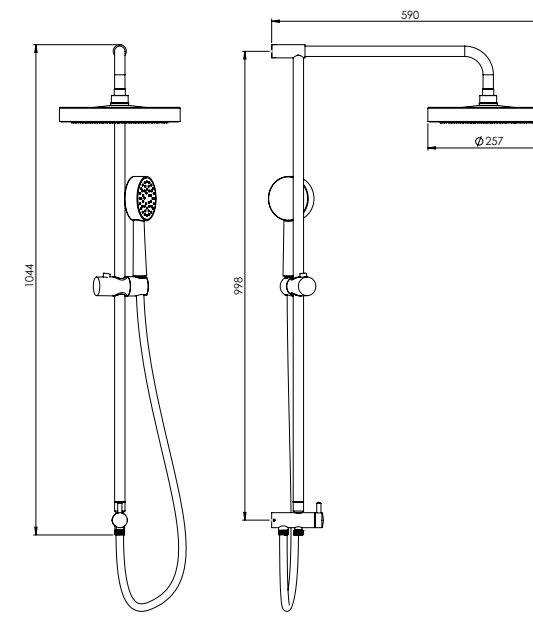
20113000007



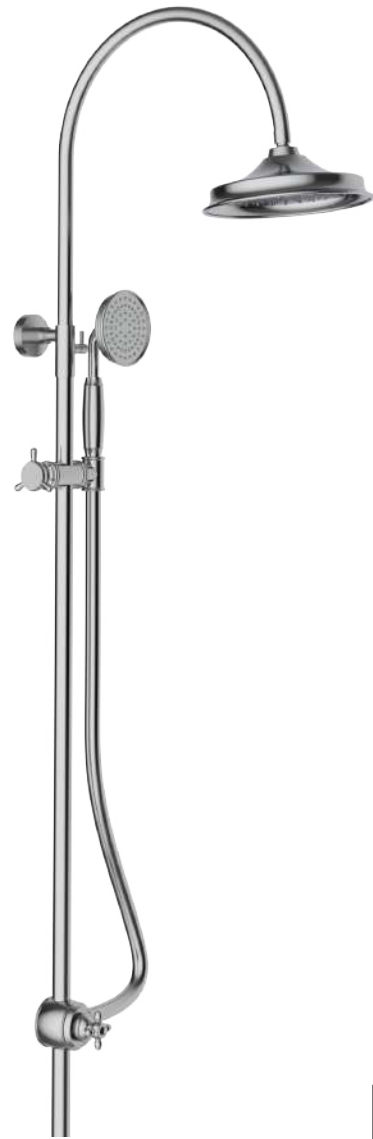
- Less surface sedimentation due to special body design
- Ergonomic structure
- Dual-purpose- fixed and mobile shower head
- Height settable for fixed and mobile shower
- Shower head silicon nozzles with less sedimentation
- %100 QC
- Fast and easy installation



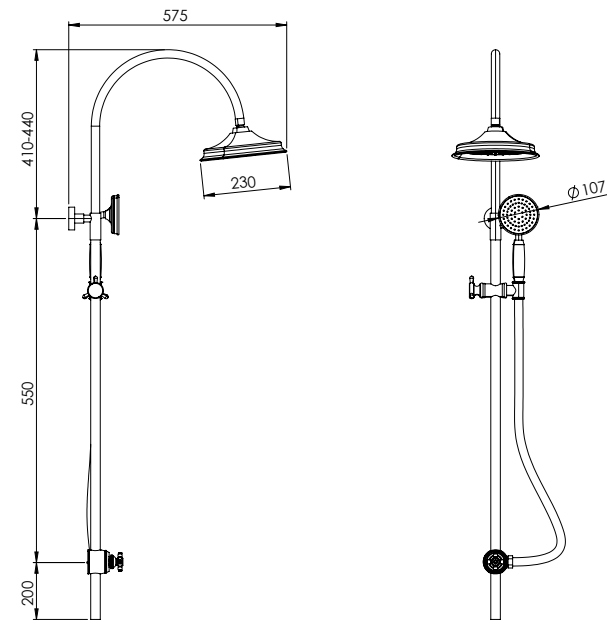
20113000015



- Less surface sedimentation due to special body design
- Water saving perlator
- Dual-purpose- fixed and mobile shower head
- State-of-the-art physical vapor deposition (PVD) coating
- With antibacterial feature using advanced technology
- Equipped with Air technology for efficient water consumption
- Shower head silicon nozzles with less sedimentation
- Height settable for fixed and mobile shower
- Ergonomic structure
- Fast and easy installation
- Easily cleanable
- %100 QC



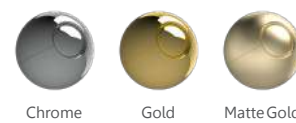
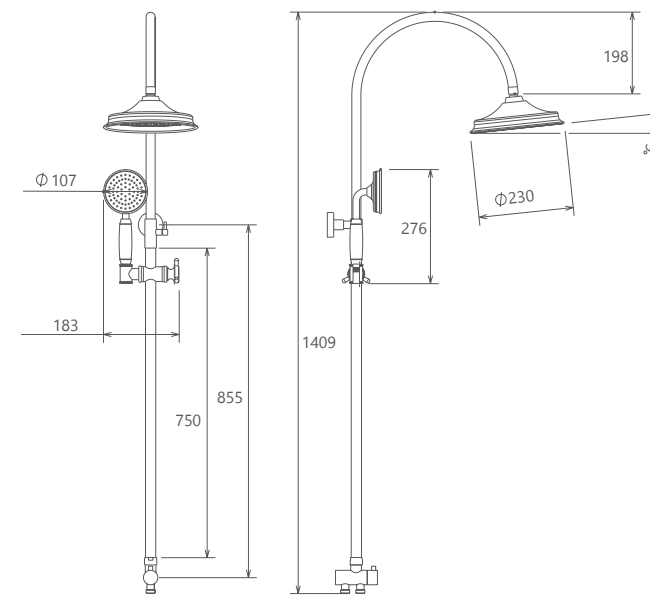
20113000020



- Less surface sedimentation due to special body design
- Water saving perlator
- Dual-purpose- fixed and mobile shower head
- State-of-the-art physical vapor deposition (PVD) coating
- With antibacterial feature using advanced technology
- Equipped with Air technology for efficient water consumption
- Shower head silicon nozzles with less sedimentation
- Height settable for fixed and mobile shower
- Ergonomic structure
- Fast and easy installation
- Easily cleanable
- %100 QC



201130360018

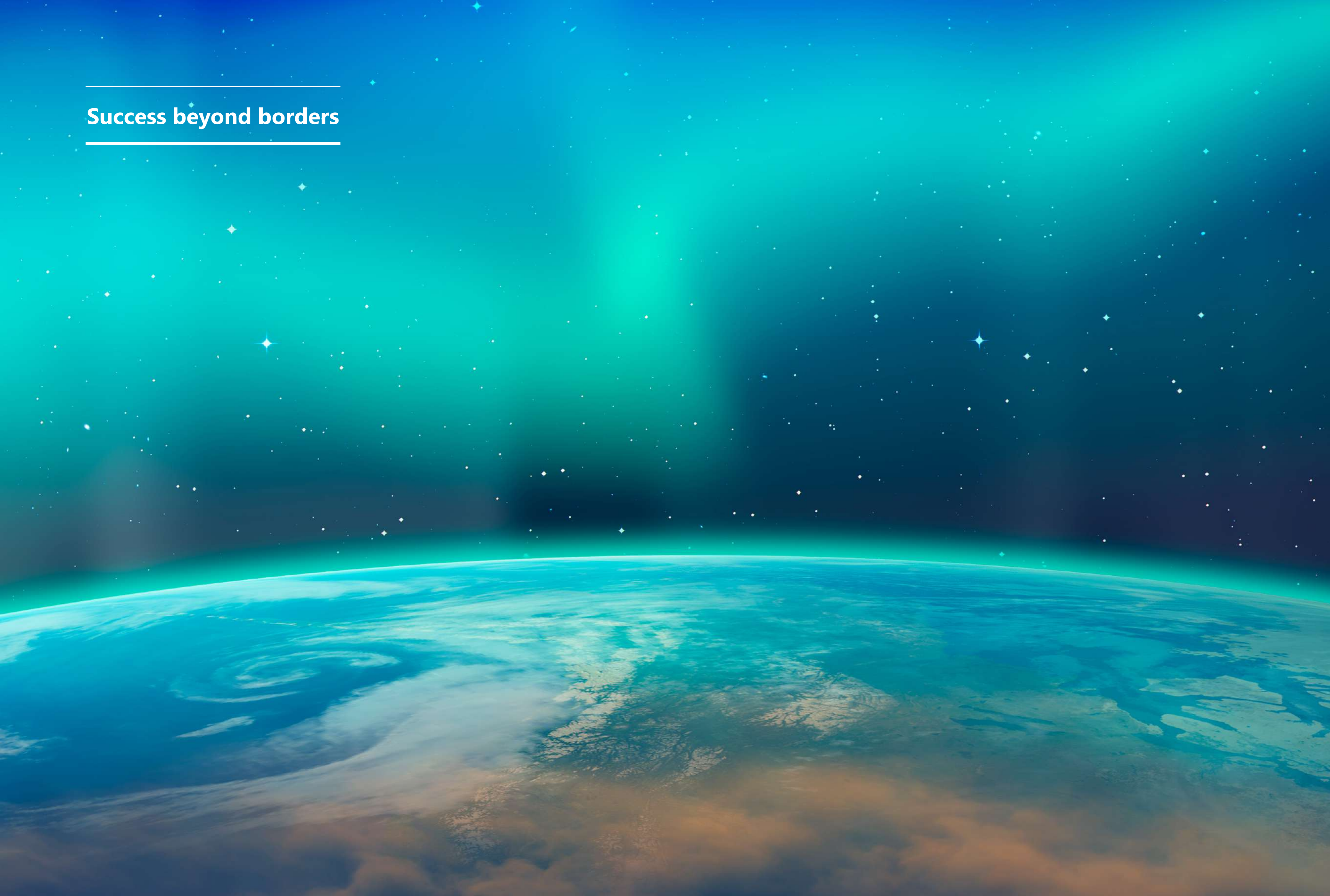


Chrome Gold Matte Gold

---

**Success beyond borders**

---







**wall- Hung**  

---

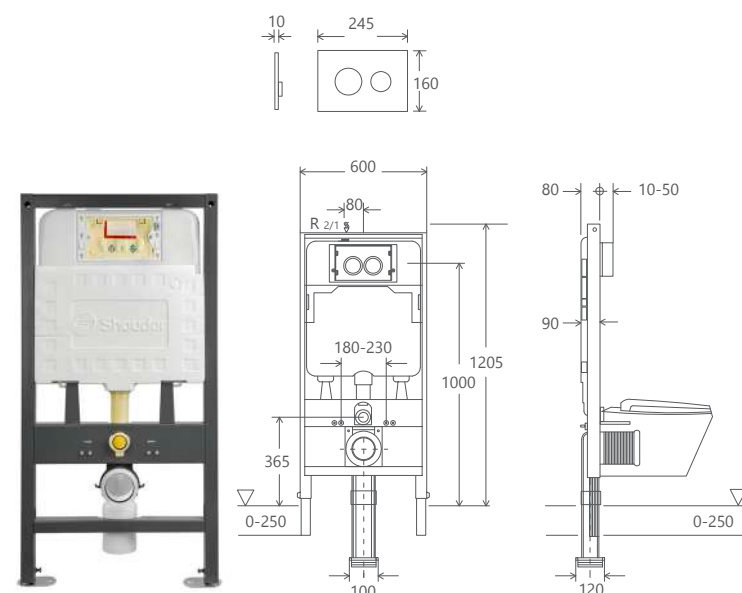
**Collection**

### Concealed Flush Tank | (Sitting toilet)- Wall hang

- Slim body (THK: 8 cm)
- 3 layered sound and sweat proof coating
- Noise free diaphragm float
- Withstanding structure weight up to 400kg
- Settable dual time discharge between 2 and 8 lits.
- Settable water output
- Fast and easy installation
- High resistant, PE tank body
- Easily cleanable
- Ergonomic structure
- 6 years guarantee of Shouder Service after-sales services
- %100 QC

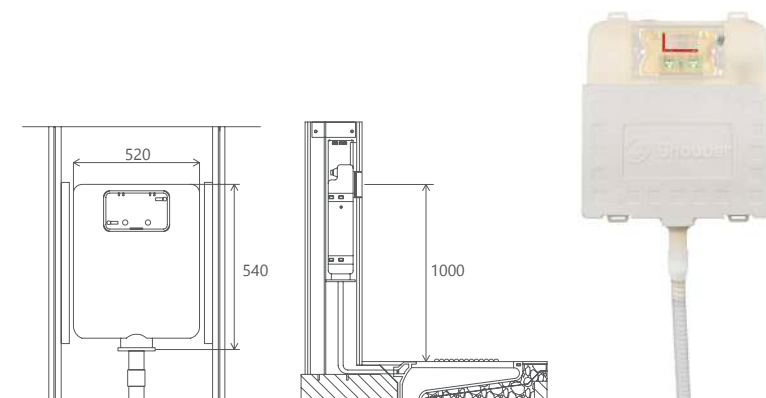


202280470000

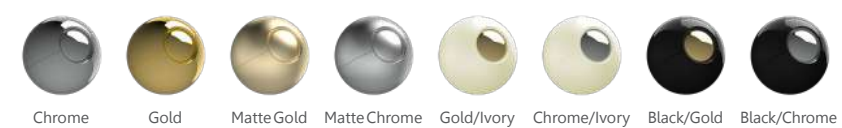


### Concealed Flush Tank | (Squat Toilet)

- Slim body (THK: 8 cm)
- 3 layered sound and sweat proof coating
- Noise free diaphragm float
- HP hose
- Settable dual time discharge between 2 and 8 lits
- High resistant, PE tank body
- Settable water output
- Fast and easy installation
- Easily cleanable
- Ergonomic structure
- Flexibility for installation at any location of lavatory
- 6 years guarantee of Shouder Service after-sales services
- %100 QC



202280000002

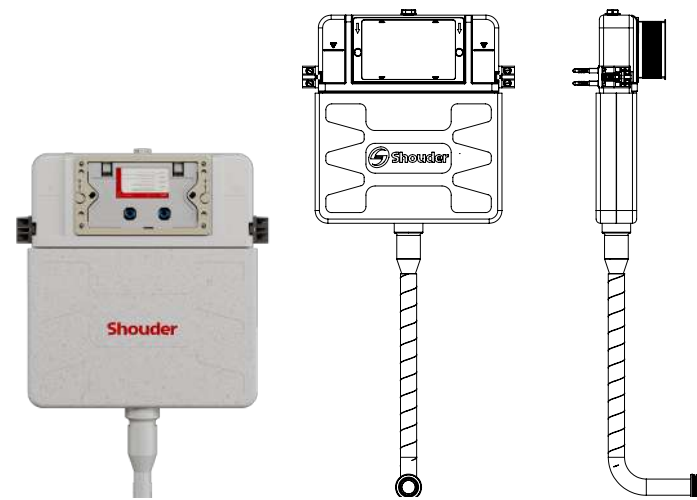


**Concealed Flush Tank** | (Sitting toilet- Ren)- Wall hang Jenova

- Slim body (THK: 8 cm)
- 3 layered sound and sweat proof coating
- Noise free diaphragm float
- Withstanding structure weight up to 400kg
- Settable dual time discharge between 2 and 8 lits.
- Settable water output
- Fast and easy installation
- High resistant, PE tank body
- Easily cleanable
- Ergonomic structure
- 6 years guarantee of Shouder Service after-sales services
- %100 QC

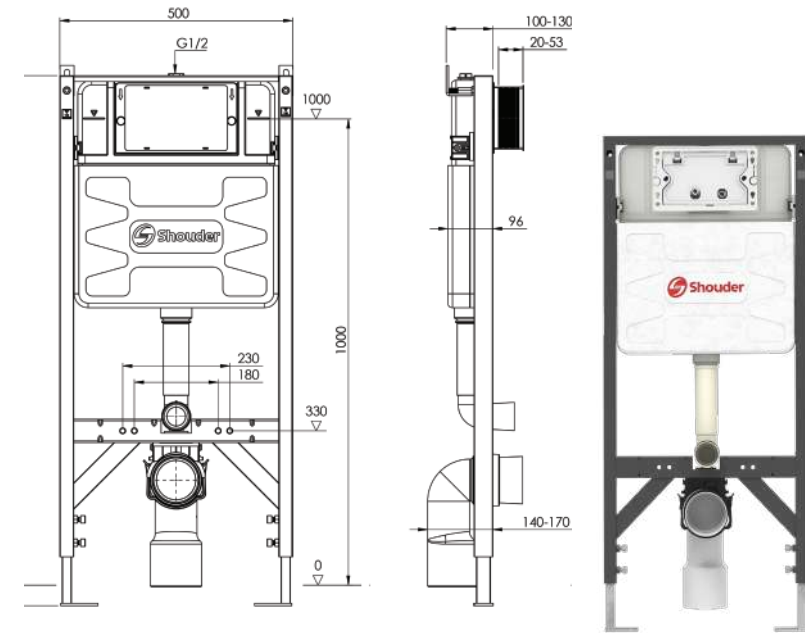


20228000002



**Concealed Flush Tank** | (Squat Toilet-Nis)

- Slim body (THK: 8 cm)
- 3 layered sound and sweat proof coating
- Noise free diaphragm float
- HP hose
- Settable dual time discharge between 2 and 8 lits
- High resistant, PE tank body
- Settable water output
- Fast and easy installation
- Easily cleanable
- Ergonomic structure
- Flexibility for installation at any location of lavatory
- 6 years guarantee of Shouder Service after-sales services
- %100 QC

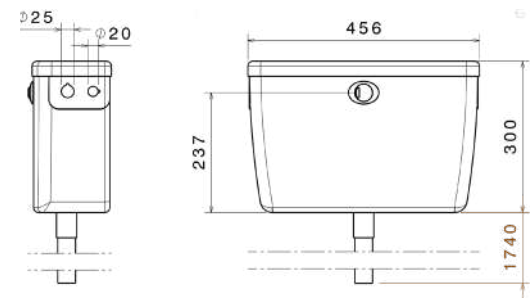


20228000001

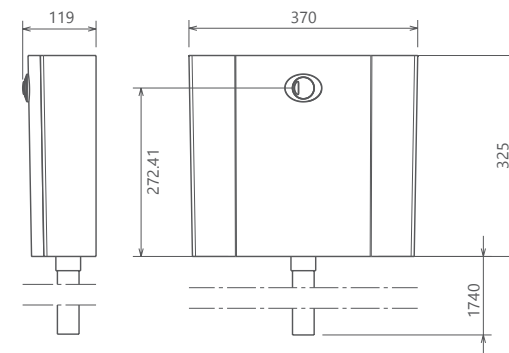




**Farel Flush Tank**  
201290530000



**Marco Flush Tank**  
201290540000



**Lia Chorme**  
201220550005

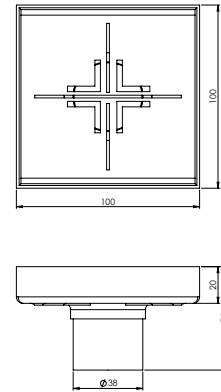


Drain- (10 \* 10 cm)

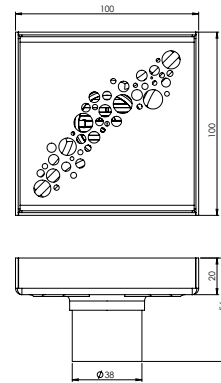
- Fast and easy installation
- Access to interior parts without damaging the wall
- State-of-the-art physical vapor deposition (PVD) coating
- Fast and easy installation
- Easily cleanable
- Ergonomic structure
- %100 QC



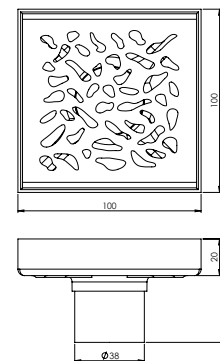
Grays  
201230000061



Lena  
201230000056



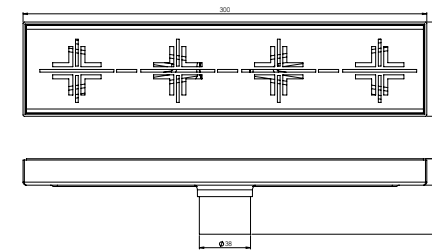
Lidz  
201230000057



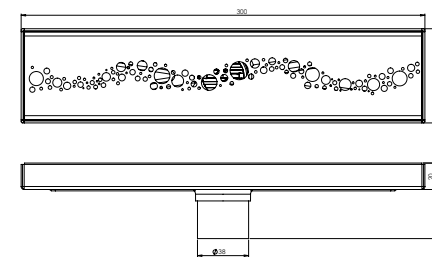
Matte Gold Matte Chrome Black

Drain- (30 cm)

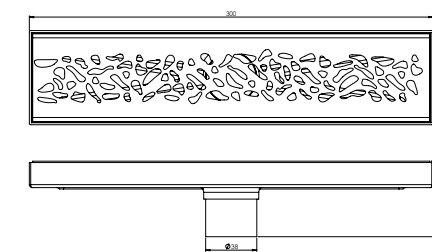
- Fast and easy installation
- Access to interior parts without damaging the wall
- State-of-the-art physical vapor deposition (PVD) coating
- Fast and easy installation
- Easily cleanable
- Ergonomic structure
- %100 QC



Grays  
201230000067



Lena  
201230000062



Lidz  
201230000063



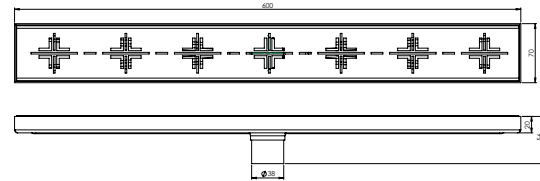
Matte Gold Matte Chrome Black

Drain- (60 cm)

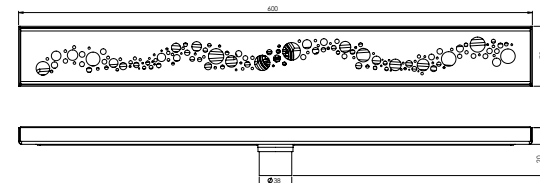
- Fast and easy installation
- Access to interior parts without damaging the wall
- State-of-the-art physical vapor deposition (PVD) coating
- Fast and easy installation
- Easily cleanable
- Ergonomic structure
- %100 QC



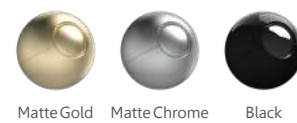
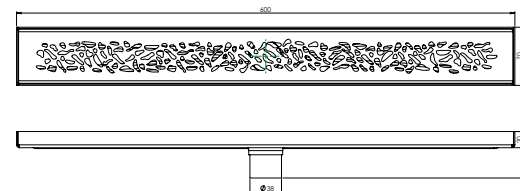
Grays  
201230000009



Lena  
201230000071



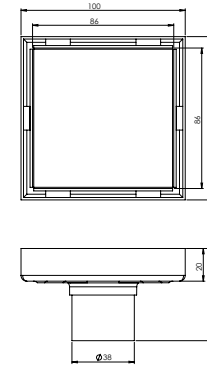
Lidz  
201230000073



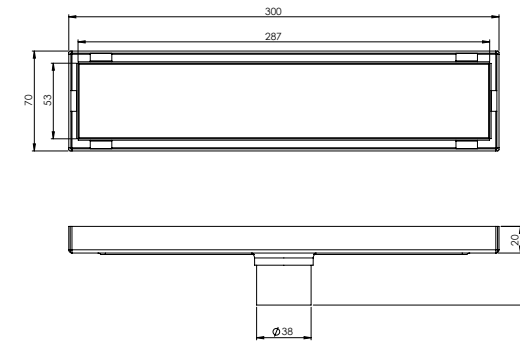
Matte Gold Matte Chrome Black

Drain- Ceramic drain

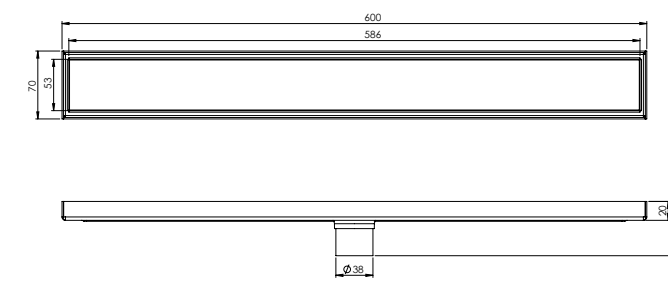
- Fast and easy installation
- Access to interior parts without damaging the wall
- State-of-the-art physical vapor deposition (PVD) coating
- Fast and easy installation
- Easily cleanable
- Ergonomic structure
- %100 QC



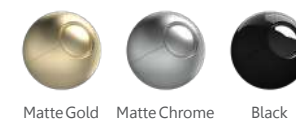
10 cm  
201230000098



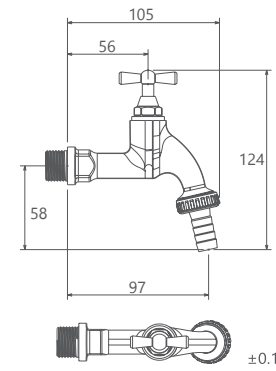
30 cm  
201230000095



60 cm  
201230000096



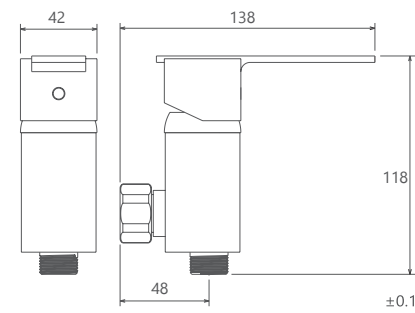
Matte Gold Matte Chrome Black



Zigmond toilet tap  
201140510005



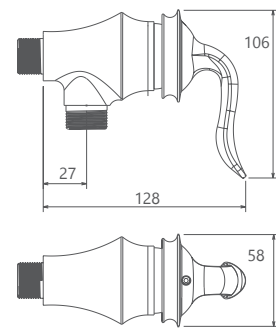
Chrome



Sharp toilet tap  
201120070005



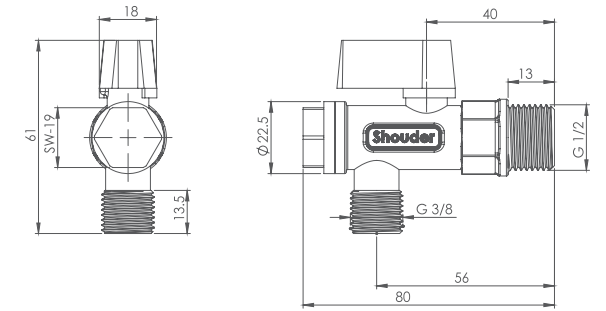
Chrome



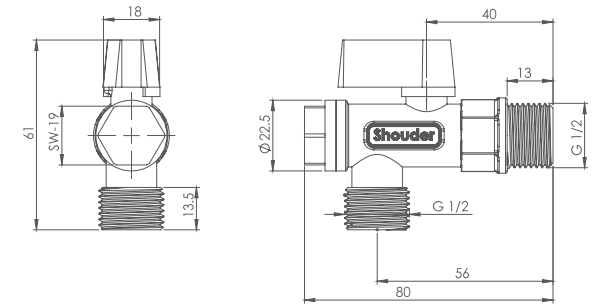
Luca toilet tap  
201120180024



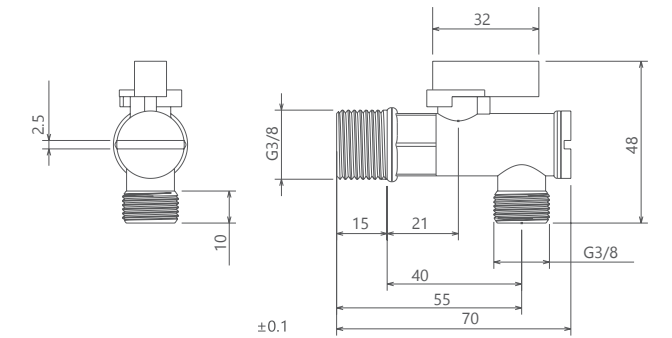
New Bibcock tap 1/2"  
201170620005



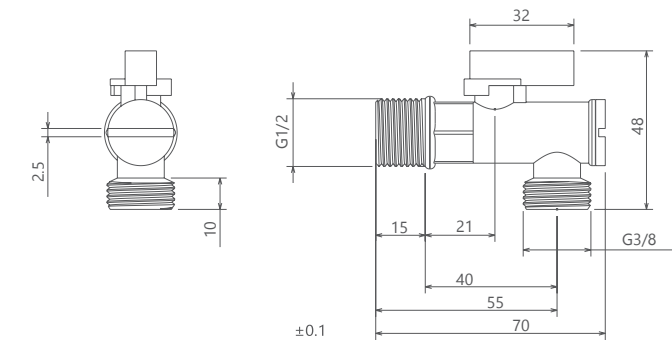
New Bibcock tap 3/8"  
201170640005



Bibcock tap 1/2"  
122800000018



Bibcock tap 3/8"  
201170630005



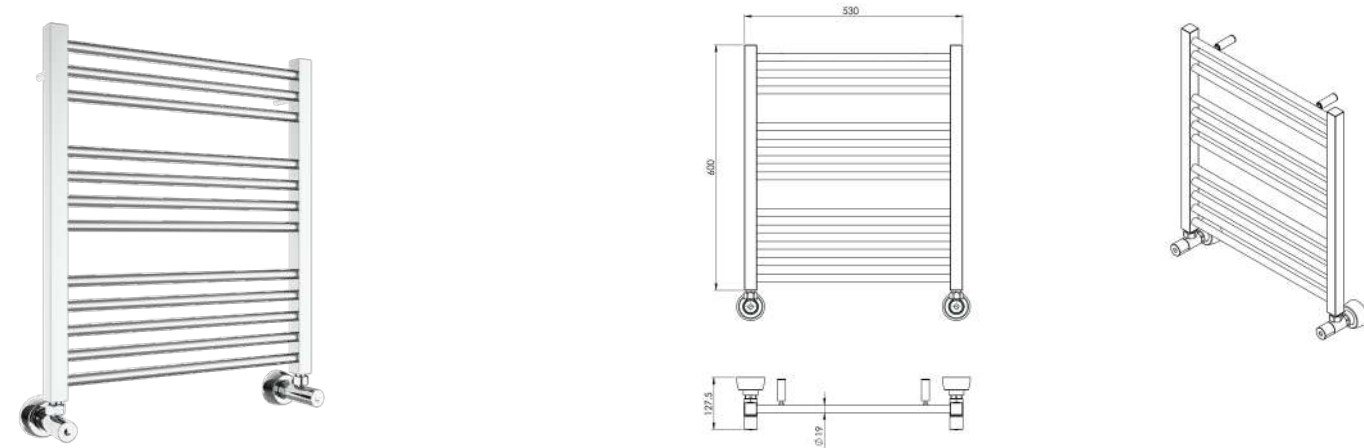


**Towel drayer**  

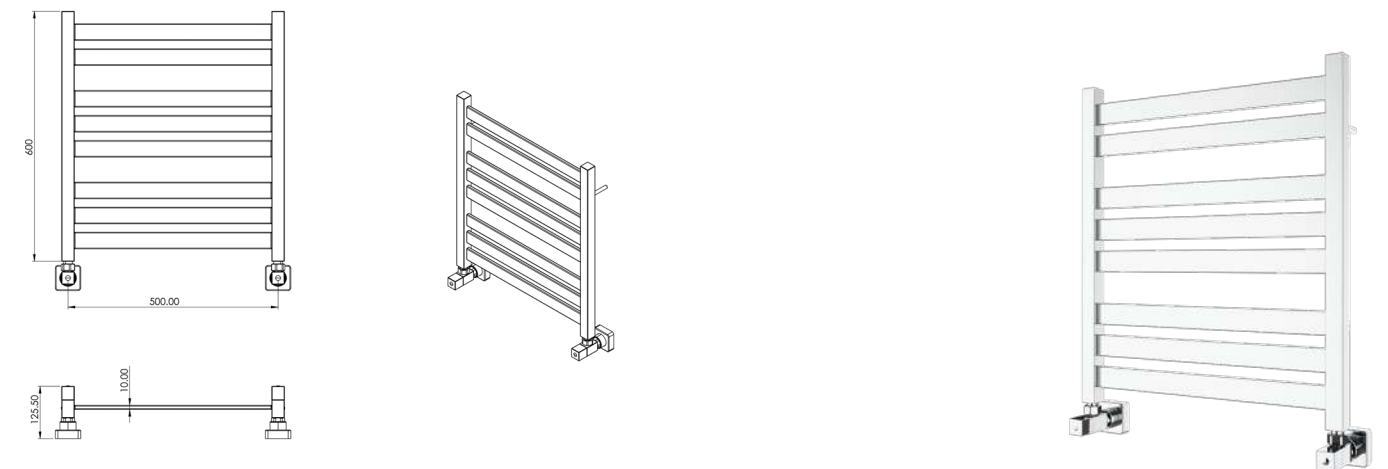
---

**Collection**

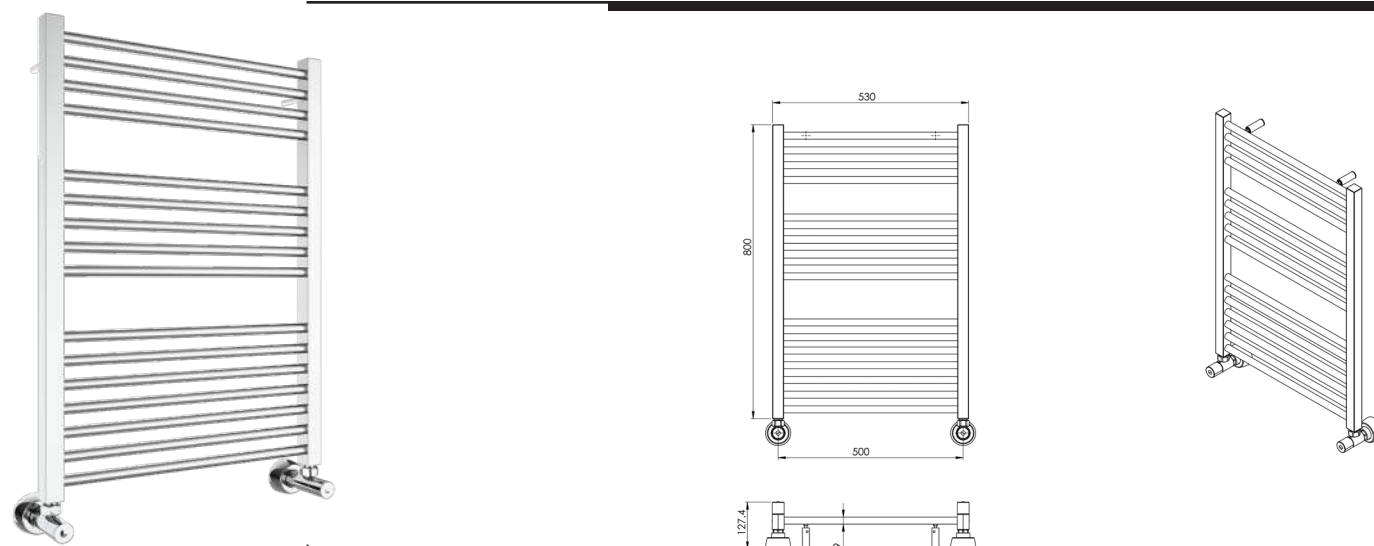




50\*60  
201240000021



50\*60  
201230000095



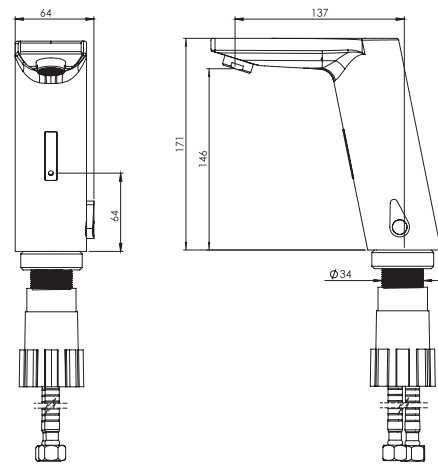
50\*80  
201240000029



50\*80  
201230000096



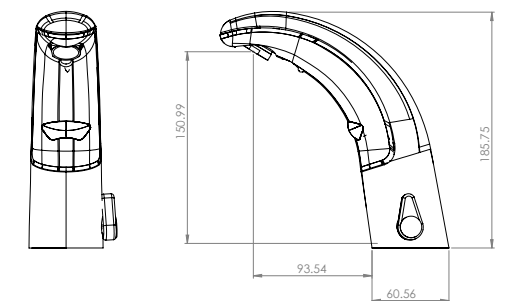
- Water saving perlator
- Less surface sedimentation due to special body design
- Fast and easy installation
- Easily cleanable
- Ergonomic structure
- %100 QC



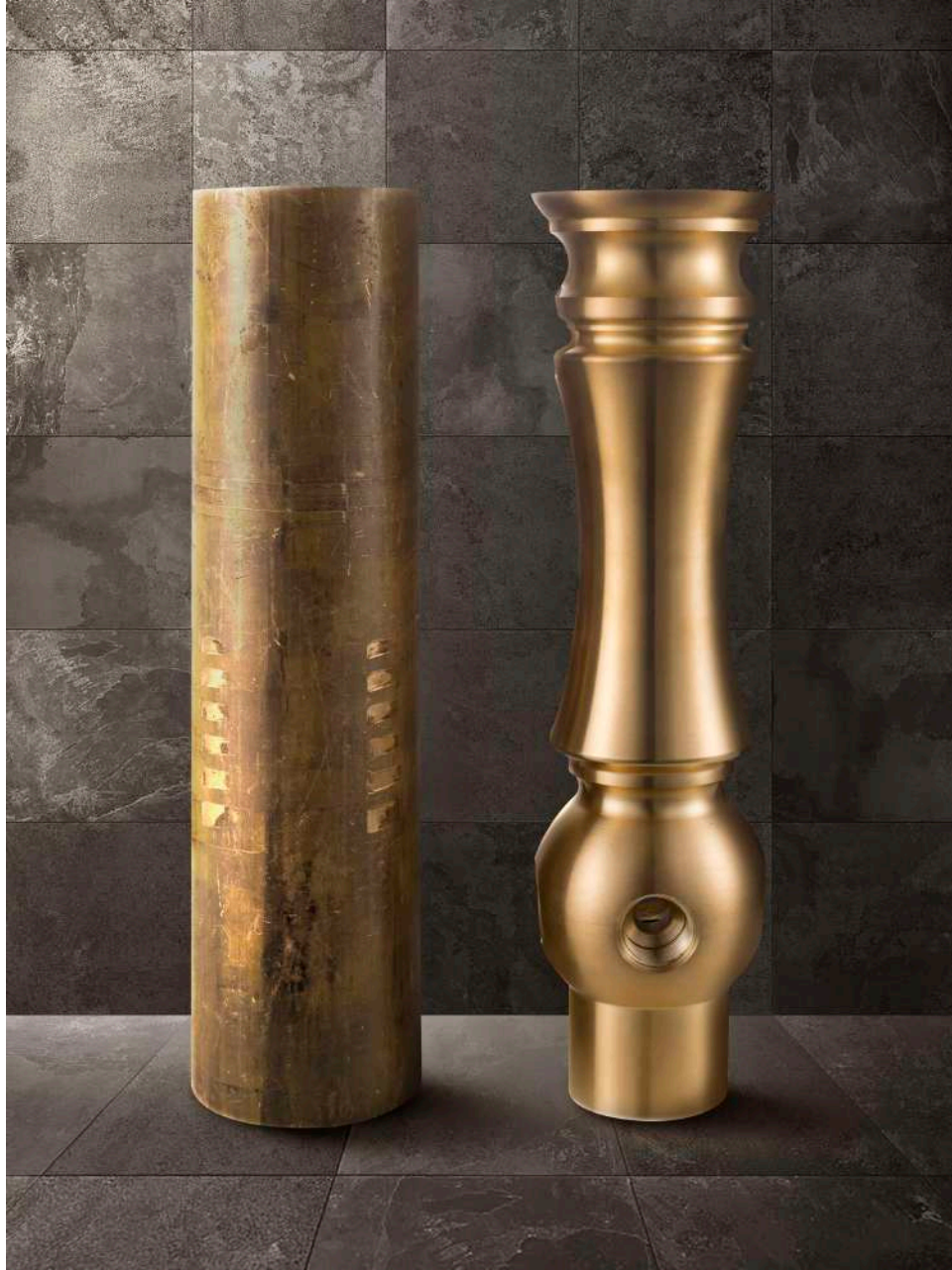
Danube  
201200420005



- Water saving perlator
- Less surface sedimentation due to special body design
- Fast and easy installation
- Easily cleanable
- Ergonomic structure
- %100 QC



Alka  
201200570005



## **Caring about the details makes you special**

---

Whereas Shouder products are made from integrated brass ingots turnery and have a high quality ceramic cartridge, they enjoy both special beauty and high water heat and pressure resistance and have limited sedimentation thanking to their special body surface design. On the other hand, water saving equipment used in these faucets results in optimized water consumption.