

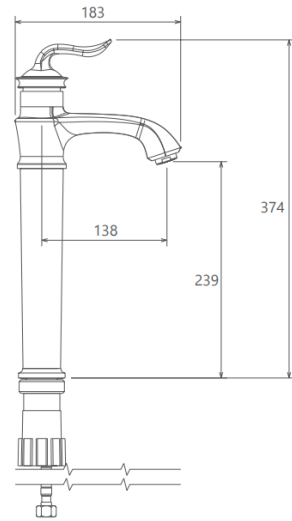
MODEL NAME LUKA TALL BASIN

MODEL NUMBER 201050180005

Description

High heat and pressure resistant ceramic cartridge
Water saving perlator
Less surface sedimentation due to special body design
State-of-the-art physical vapor deposition (PVD) coating
Fast and easy installation
Easily cleanable
Ergonomic structure
Cartridge size: 35mm
%100 QC

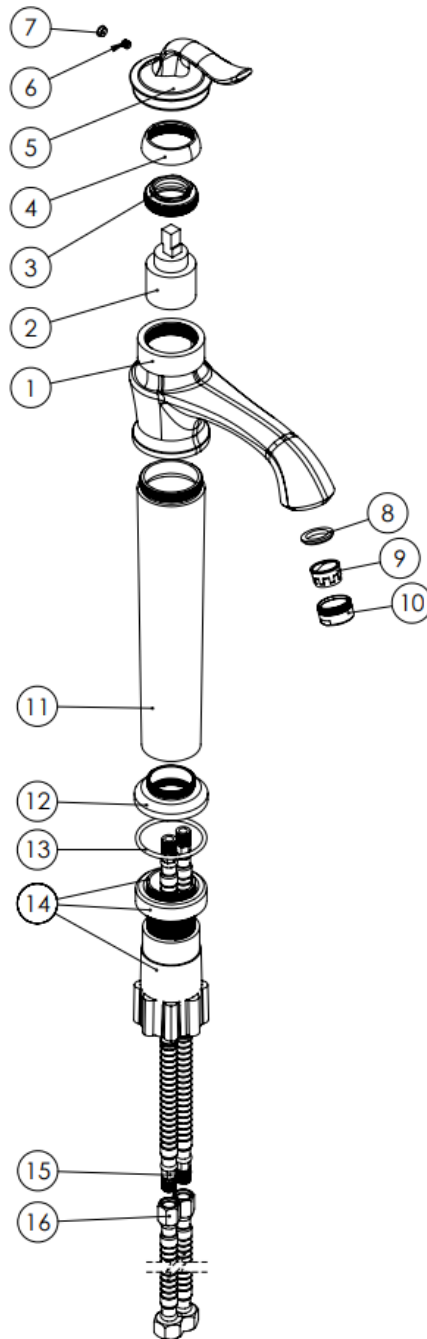
Scale Drawing



MODEL NAME LUKA TALL BASIN

MODEL NUMBER 201050180005

Exploded Drawing



MODEL NAME LUKA TALL BASIN**MODEL NUMBER 201050180005****Part List**

No.	Item Number	Quantity used
1	304900000164	1
2	120100000012	1
3	120100000024	1
4	310800000001	1
5	305700000202	1
6	120500000099	1
7	121500000003	1
8	120300000025	1
9	121700000010	1
10	313700000002	1
11	302500000038	1
12	306500000014	1
13	120200000057	1
14	123500000006	1
15	121000000030	2
16	121000000040	2