

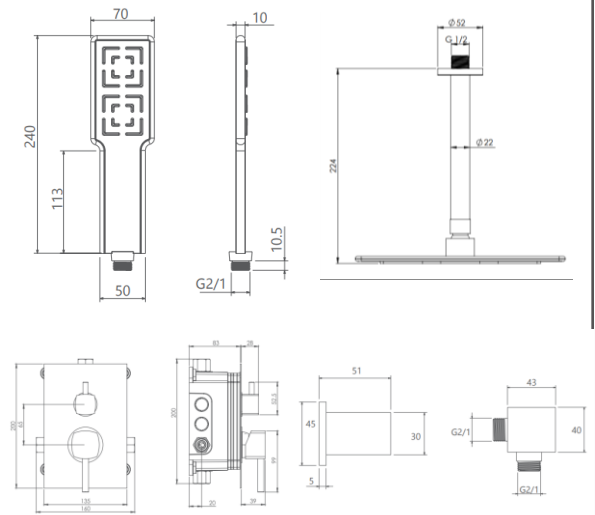
**MODEL NAME ROMER BATHROOM-
TYPE 3**

MODEL NUMBER 202150390705

Description

High heat and pressure resistant ceramic cartridge
 Fast and easy installation
 Shower head silicon nozzles with less sedimentation
 Concealed showers, offered in two wall and/or ceiling mounted types
 Access to interior parts without damaging the wall
 Flexible for layout
 Less space occupancy
 Easily cleanable
 Ergonomic structure
 Cartridge size: 35 mm
 %100 QC

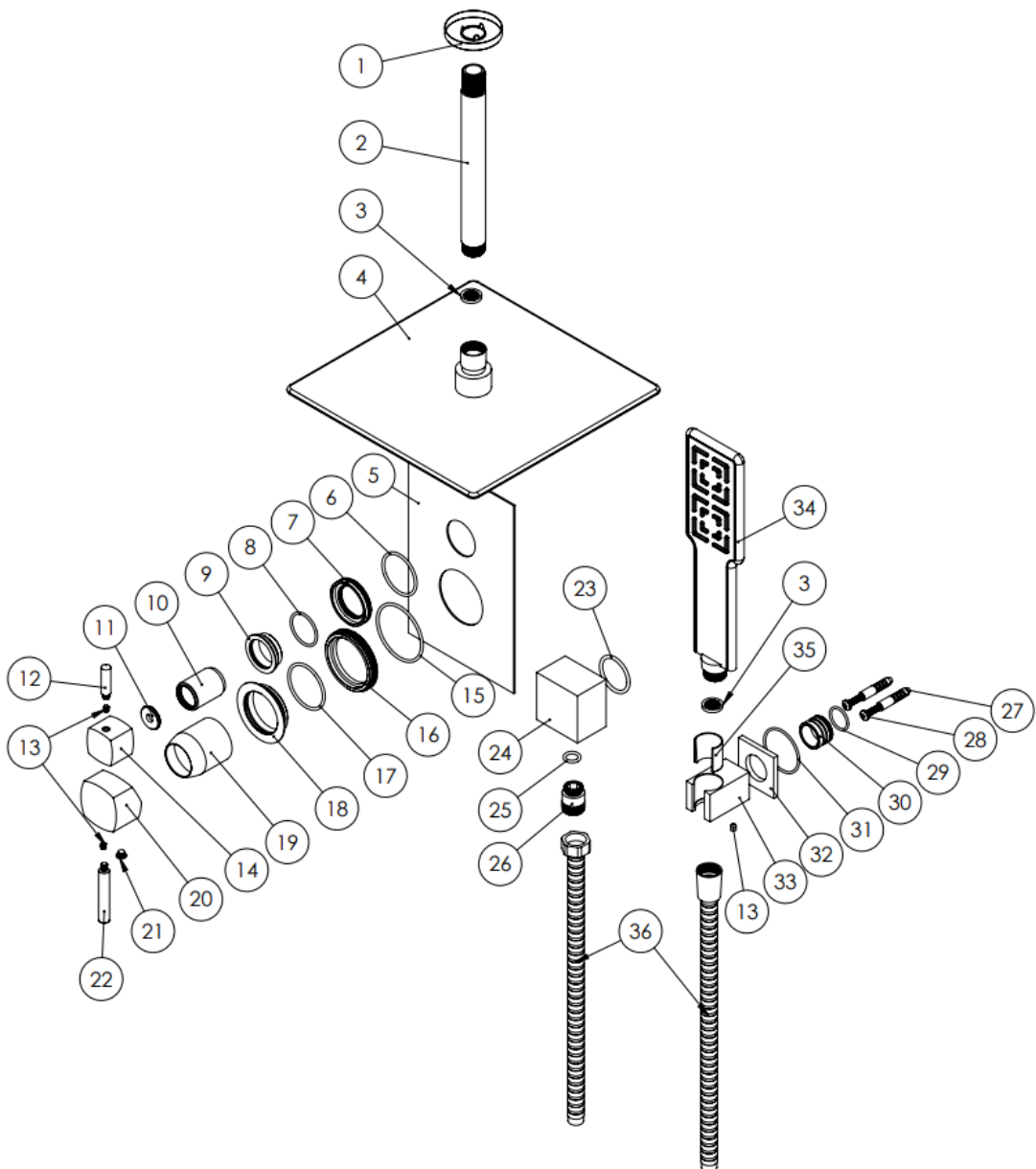
Scale Drawing



**MODEL NAME ROMER BATHROOM-
TYPE 3**

MODEL NUMBER 202150390705

Exploded Drawing



MODEL NAME ROMER BATHROOM- TYPE 3 **MODEL NUMBER 202150390705**

Part List

No.	Item Number	Quantity used	No.	Item Number	Quantity used
1	309900000038	1	24	309500000001	1
2	313200000001	1	25	120200000043	1
3	120300000023	2	26	317700000014	1
4	312600000013	1	27	90000002438	2
5	303500000012	1	28	120500000086	2
6	120200000031	1	29	120200000024	1
7	121300000007	1	30	122100000028	1
8	120200000025	1	31	120200000080	1
9	301400000001	1	32	307200000013	1
10	302200000004	1	33	302600000020	1
11	124100000004	1	34	312500000018	1
12	305900000048	1	35	122100000033	1
13	120500000099	3	36	121000000064	1
14	306000000008	1			
15	120200000068	1			
16	120100000009	1			
17	120200000061	1			
18	301500000007	1			
19	311500000001	1			
20	316400000089	1			
21	121500000003	1			
22	305900000103	1			
23	120200000039	1			